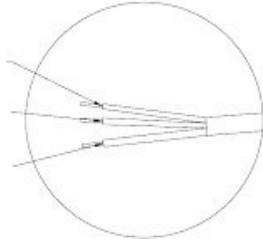


4. Instruction of wiring

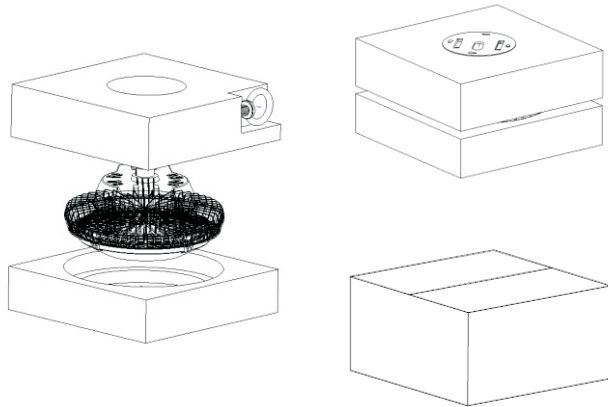
Brown wire –Live wire

Yellow-green wire-Earth wire

Blue wire- Null line



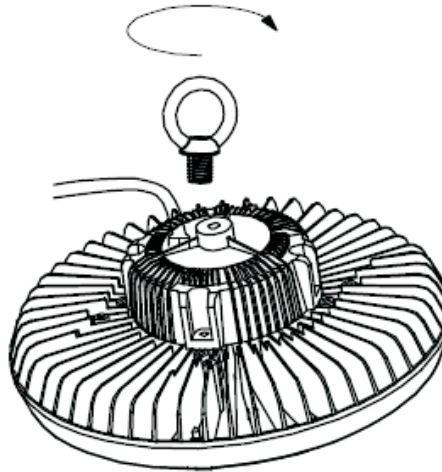
5. Packing instruction



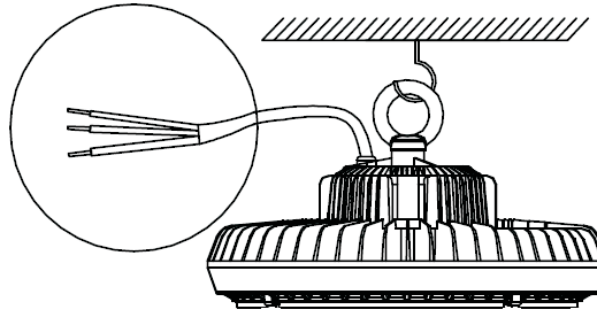
6. Install caution

1. Pls cut off the power before installation and make sure the place where need to install the lamp could bear its weight.
2. Ensure install the lamp with right method in case it fell off
- 3. Pls don't use the lamp in the place where have corrosive gas.
- 4. Pls don't cover anything on the lamp.
- 5. Do connect the ground wire for safety.
-
-

3. Installation Instruction



1. Tighten the ring



2. Hang up the lamp, and connect the wire shown as the picture.



LED High Bay Light Instruction Manual

TSL-S250HB-150EC



• Application:

- Apply to workshop, factory building, warehouse, highway toll stations, gas stations, supermarkets,
- Exhibition halls, stadiums and other places of lighting required

2. Features:

- Special die-casting heat sink makes the lamp lighter, and heat dissipation better.
- Using Mean well driver, Samsungchip, having a long service life.
- Different mounting brackets are available



Trädgårdsteknik AB

Helsingborgsvägen 578

262 96 Ängelholm

Telefon: 0431-222 90

Email : info@tradgardsteknik.se

Web : www.tradgardsteknik.se