

Troubleshooting Chart:

Problem	Cause	Solution
1. No discharge	a. No water b. Magnetic valve not functioning c. Eductor clogged d. Clogged water inlet strainer	a. Open water supply b. Install valve parts kit c. Clean* or replace d. Disconnect inlet water line and clean s strainer
2. No concentrate draw	a. Clogged foot valve b. Metering tip or eductor has scale build-up c. Low water pressure d. Discharge tube and/or flooding ring not in place e. Concentrate container empty f. Inlet hose barb not screwed into eductor tightly g. Clogged water inlet strainer h. Air leak in chemical pick-up tube i. Selector out of position	a. Clean or replace b. Clean (descale)* or replace c. Minimum 25 PSI (with water running) required to operate unit properly d. Push tube firmly onto eductor discharge hose barb, or replace tube if it doesn't have a flooding ring. e. Replace with full container f. Tighten, but do not overtighten g. Disconnect inlet water line and clean strainer h. Put clamp on tube or replace tube if brittle i. Assure selector is in position desired
3. Excess concentrate draw	a. Metering tip not in place b. Chemical above eductor	a. Press correct tip firmly into barb on eductor b. Place concentrate below the eductor
4. Failure of unit to turn off	a. Water valve parts dirty or defective b. Magnet doesn't fully return c. Push button stuck	a. Clean* or replace with valve parts kit b. Make sure magnet moves freely. c. Remove button and clean cabinet/button to remove any dirt lodged in slide recess
5. Excess foaming in discharge	a. Air leak in pick-up tube	a. Put clamp on tube or replace tube if brittle

* In hard water areas, scale may form inside the discharge end of the eductor, as well as in other areas of the unit that are exposed to water. This scale may be removed by soaking the eductor in a descaling solution (deliming solution). To remove an eductor located in the cabinet, firmly grasp water valve and unthread eductor. Replace in same manner. Alternatively, a scaled eductor can be cleaned (or kept from scaling) by drawing the descaling solution through the unit. Operate the unit with the suction tube in the descaling solution. Operate the unit until solution is drawn consistently, then flush the unit by drawing clear water through it for a minute. Replace concentrate container and put suction tube into concentrate.



Proportioner
Model 3976AG & 3978AG
with AirGap Eductors

- Package Should Contain:
1. Proportioner unit.
 2. Supply tubing 21' total.
 3. Foot valve assemblies & weights (5).
 4. Discharge tubing for each eductor.
 5. Metering tip kits.
 6. Mounting anchor kit.
 7. Hose hook for 3.5 GPM eductor.
 8. Instruction sheet.

THANK YOU FOR YOUR INTEREST IN OUR PRODUCTS

Please use this equipment carefully and observe all warnings and cautions.

*****NOTE *****
protective clothing and eyewear when dispensing chemicals or other materials or when working in the vicinity of all chemicals, filling or emptying equipment, or changing metering tips.

WEAR

ALWAYS

ATTACH

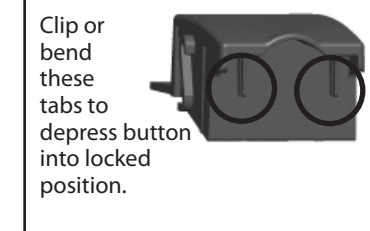
KEEP

NOTE

- observe safety and handling instructions of the chemical manufacturer.
- direct discharge away from you or other persons or into approved containers.
- dispense cleaners and chemicals in accordance with manufacturer's instructions. Exercise CAUTION when maintaining your equipment.
- reassemble equipment according to instruction procedures. Be sure all components are firmly screwed or latched into position.
- only to tap water outlets (85 PSI maximum).
- equipment clean to maintain proper operation.
- if the unit is used to fill a sink or the discharge hose can be placed into a sink, the unit must be mounted so that the bottom of the cabinet is above the overflow rim of the sink.

Installation and Operation:

1. Remove cabinet cover. Install the short, whitish inner discharge tube on the outlet of the eductor. It goes over the smaller barbed part on the bottom of the eductor. This tube must be in place for the eductor to function. The inner discharge tube for a 3.5 GPM (yellow) eductor has a yellow flooding ring inside it. The inner discharge tube for a 1.0 GPM (grey) eductor has a grey flooding ring inside of it. Install the end of the tube nearest the flooding ring on the eductor's inner discharge barb. To ensure the IDT is on correctly, see that the metal ring gets positioned above the small barb. (Repeat for all eductors).
2. Find suitable place close to water source for unit. Mounting bracket should be installed approx. 5' from floor. Level bracket & mark holes. Drill 9/32" holes & install mounting anchors and screws in bracket. Drill holes for the three wall anchors with a 5/16" drill bit, using the cabinet back as template for proper spacing of the mounting screws. Install mounting anchors, and then screws in top two anchors. Slide key holes in cabinet back over screw heads, tighten screws, then install bottom screw. Do not mount more than 6 feet (1.8 meters) above the bottom of the concentrate container, nor below the highest concentrate level (never mount your concentrate higher than the proportioner).
3. Select metering tips (up to 4) for the selector valve. (see next two sections) Push each tip firmly into a separate hose barb extending from the selector valve. A tip with no hole (clear plastic) can be used to block any valve port being used. (This may be used for dispensing water only). Select and install a metering tip for the single product eductor (right side) in the same manner.
4. Cut tubing provided into separate supply tubes for each product to be dispensed (tubing allows 7 feet of tube per product). Supply tubes should reach from hose barbs on the selector valve body and eductor to bottom of concentrate containers. Slide ceramic weights over one end of each tube and slide foot valves into the same ends of the tubes.
5. Slip other end of supply tube through an opening in either side of the cabinet and push over the hose barb/metering tip on the eductor. (Repeat for all eductors.)
6. Place foot valve ends of supply tubes into concentrate containers. REMEMBER TO CHECK FOOT VALVE STRAINERS PERIODICALLY FOR CLOGGING: CLEAN IF NECESSARY.
7. A short discharge tube is used with the 1GPM eductor; minimum tube length is 8 inches (20cm) for proper operation. Longer tubes (4 feet) are used with a 3.5 GPM eductor. Do not remove the flooding rings from inside the tubes. Slide end of tube with flooding ring over eductor discharge outlet. (Repeat for all eductors.) Hooks may be installed on longer tubes to allow discharge tube to conveniently hang from dispenser when not in use.
8. Replace cabinet cover. Push the sides in, behind the latch holes, to snap the cover in place. The two screws provided may be installed in the holes in the cabinet sides to prevent easy removal of cover.
9. Connect water supply hose of at least 3/8" ID to water inlet swivel. (Minimum 25 PSI pressure, with water running, is required for proper operation.) Connect opposite end of hose to water supply. Turn water supply on.
10. Push button to start flow of desired water/concentrate solution, and hold until supply tube is primed (filled). Then push the button whenever dispensing is desired, and release button to stop flow of solution. If you wish to be able to lock the button in the "on" position: clip or bend the two tabs behind the lower front portion of the button (see diagram). This allows the button to be fully depressed and allows it to latch in the "on" position. To unlock, pull the button out.



Metering Tip Selection:

The final concentration of the dispensed solution is related to both the size of the metering tip opening and the viscosity of the liquid being siphoned. For water-thin products, the chart at left can be used as a guideline. If product is noticeably thicker than water, consult the Measurement of Concentration Procedure below to achieve your desired water-to-product ratio. Because dilution can vary with water temperature and pressure, actual dilution achieved can only be ascertained by using the Measurement of Concentration Procedure. The clear, undrilled tip is provided to permit drilling to size not listed should you need a dilution ratio that falls between standard tip sizes.

NOTE: A 1 GPM eductor is grey; a 4 GPM eductor is yellow. Refer to parts diagram if unfamiliar with names of system components.

Measurement of Concentration:

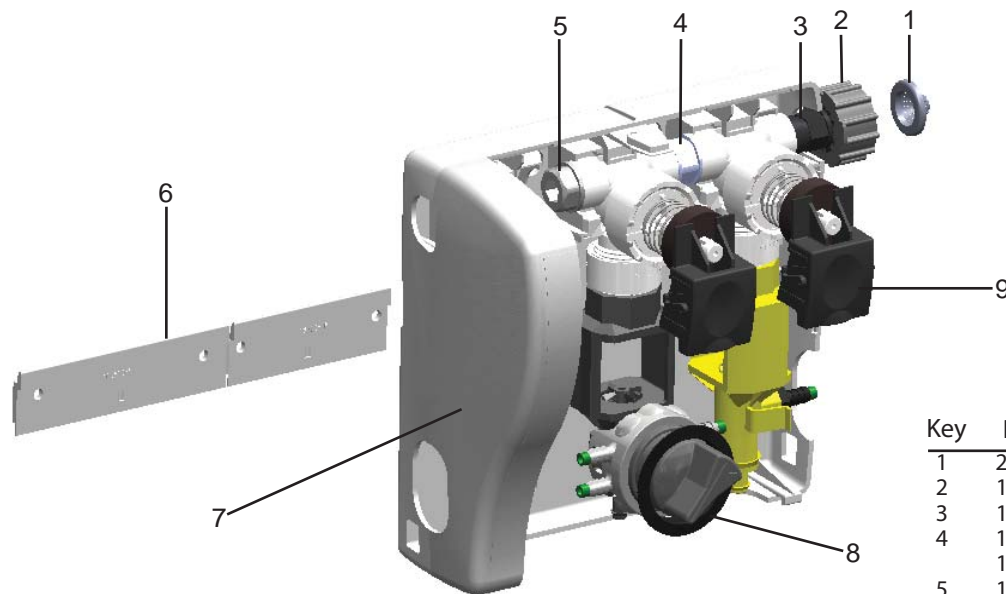
You can determine the dispensed water-to-product ratio for any metering tip size and product viscosity. All that is required is to operate the primed dispenser for a minute or so and note two things: the amount of dispensed solution, and the amount of concentrate used in preparation of the solution dispensed.

$$\text{Dilution Ratio (X:1) where X} = \frac{\text{Amount of Mixed Solution} - \text{Amount of Concentrate Drawn}}{\text{Amount of Concentrate Drawn}}$$

Dilution Ratio, then, equals X parts water to one part concentrate (X:1). If the test does not yield the desired ratio, choose a different tip and repeat the test. Alternative methods to this test are 1) pH (using litmus paper), and 2) titration. Contact your concentrate supplier for further information on these alternative methods and the materials required to perform them.

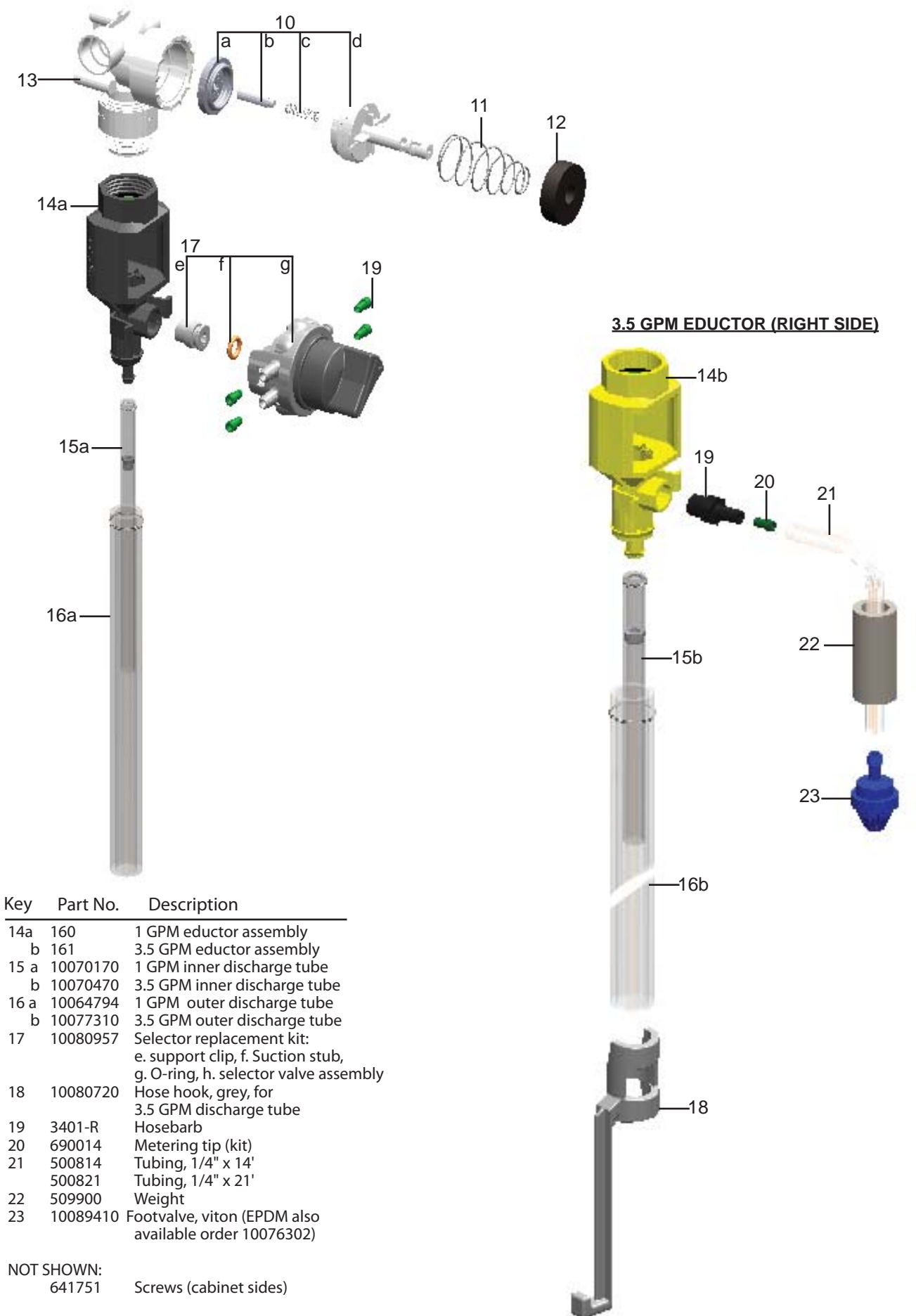
APPROXIMATE DILUTIONS AT 40 PSI FOR WATER-THIN PRODUCTS (1.0 CP)				
Tip Color	Orifice Size	Std. Drill Number	Ratio (per Eductor Flow)	
			1 GPM	3.5 GPM
No Tip	.187	(3/16)	2.6:1	4:1
Grey	.128	(30)	2.6:1	4:1
Black	.098	(40)	2.5:1	5:1
Beige	.070	(50)	3:1	8:1
Red	.052	(55)	5:1	13:1
White	.043	(57)	7:1	22:1
Blue	.040	(60)	9:1	26:1
Tan	.035	(65)	11:1	34:1
Green	.028	(70)	17:1	52:1
Orange	.025	(72)	19:1	64:1
Brown	.023	(74)	22:1	71:1
Yellow	.020	(76)	32:1	102:1
Aqua	.018	(77)	39:1	128:1
Purple	.014	(79)	64:1	213:1
Pink	.010	(87)	128:1	447:1

AccuPro Select Parts Diagram List:



Key	Part No.	Description
1	238100	Strainer washer
2	10082830	Swivel collar (molded)
3	10082801	Swivel stem (molded)
4	10075911	Hex nipple
	10075950	O-ring (two per nipple)
5	10075926	Pipe plug
6	10091035	Wall bracket
7	10093995	Cabinet
8	10020700	Selector valve grommet
	10020900	Back up ring for grommet
9	10093710	Button, dark grey

AccuPro Select Parts Diagram:



Key	Part No.	Description
14a	160	1 GPM eductor assembly
b	161	3.5 GPM eductor assembly
15 a	10070170	1 GPM inner discharge tube
b	10070470	3.5 GPM inner discharge tube
16 a	10064794	1 GPM outer discharge tube
b	10077310	3.5 GPM outer discharge tube
17	10080957	Selector replacement kit: e. support clip, f. Suction stub, g. O-ring, h. selector valve assembly
18	10080720	Hose hook, grey, for 3.5 GPM discharge tube
19	3401-R	Hosebarb
20	690014	Metering tip (kit)
21	500814	Tubing, 1/4" x 14'
	500821	Tubing, 1/4" x 21'
22	509900	Weight
23	10089410	Footvalve, viton (EPDM also available order 10076302)
NOT SHOWN:	641751	Screws (cabinet sides)