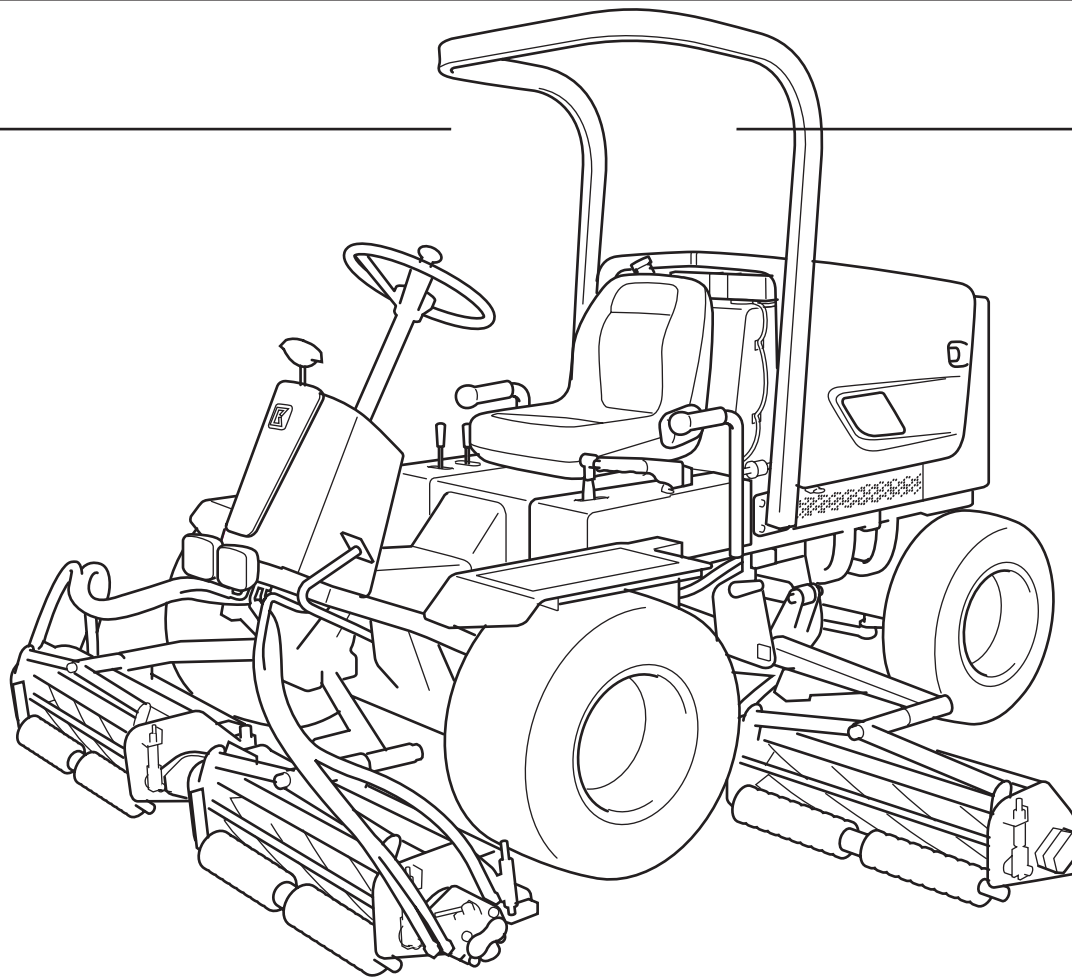


5-Reel Gang Rough Mowers

LM285

BARONESS MOWER



BEVATTNINGSTEKNIK
Helsingborgsvägen 578, Varalöv
262 96 ÄNGELHOLM, SWEDEN

Telefon: +46 431 22250
Email : info@bevattningsteknik.se eller philip@bevattningsteknik.se
www.bevattningsteknik.se

Contents

PARTS CATALOGUE.....	2
1. Frame parts.....	3
2. Cover parts (Front).....	5
3. Cover parts (Rear).....	7
4. Front wheel parts.....	9
5. Rear wheel parts.....	11
6. Pedal parts.....	13
7. Engine parts.....	15
8. Radiator parts	19
9. Hydraulic parts A (Cylinder system).....	23
10. Hydraulic parts A (Power steering system).....	27
11. Hydraulic parts B (Reel motor system type R).....	29
12. Hydraulic parts C (Front wheel motor system)	31
13. Hydraulic parts C (Rear wheel motor system).....	35
14. Mower lift arm parts type R	37
15. Mower parts (#1, #2, #5) type R.....	39
16. Mower parts (#3, #4) type R.....	43
17. Wheel parts.....	45
18. Roller Ass'y parts.....	47
19. Accessory parts.....	49
20. Option	51

Compact and light weight
5-deck reel mower

LM285 **BARONESS** **MOWER**

PARTS CATALOGUE

☆ **Ordering parts**

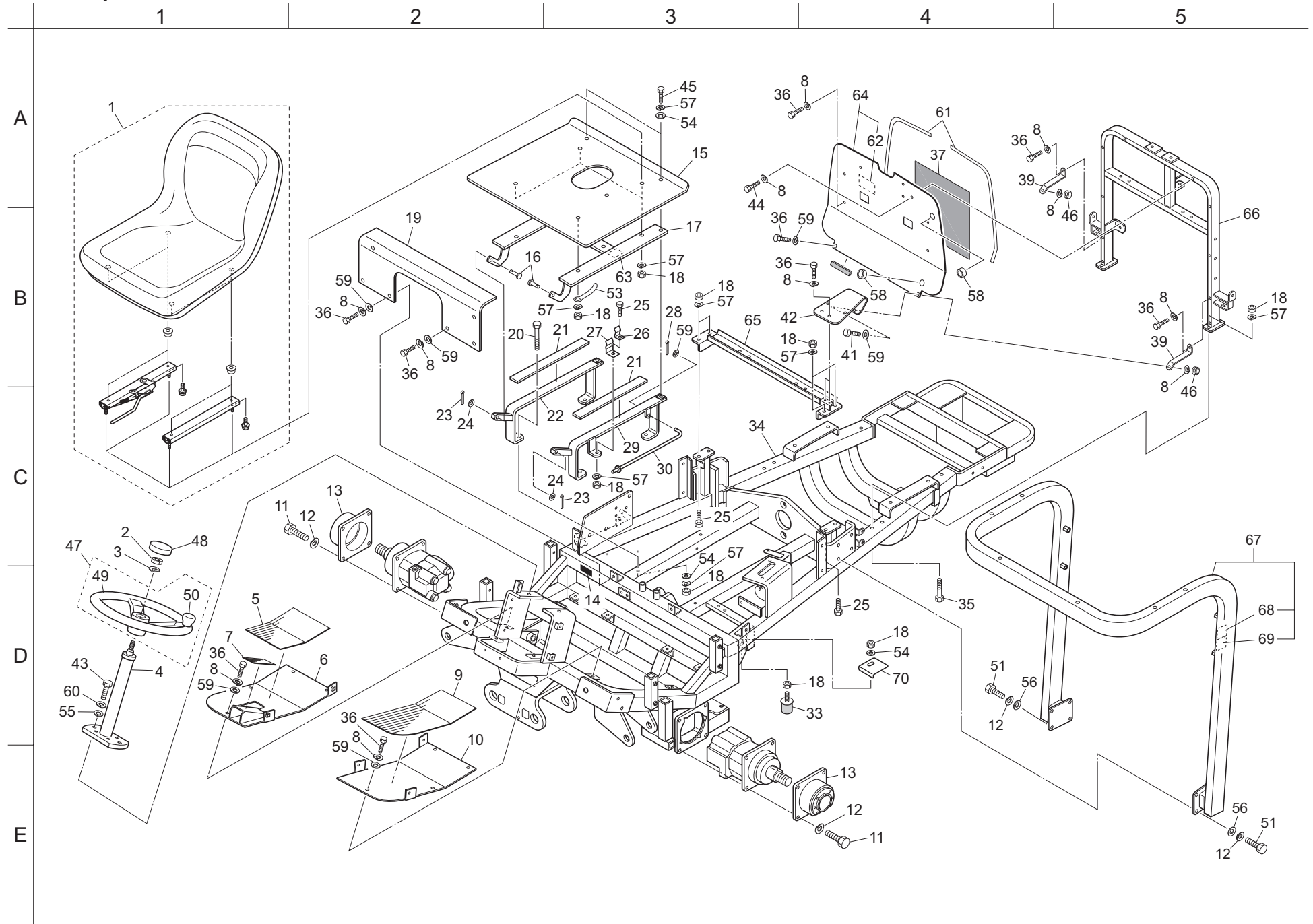
All parts in this parts catalogue are controlled by computer.

For prevention of delivery of wrong parts, advise us of the catalogue No., code No., and part name.

(Example)	Cat No.	Code No.	Part Name	Qty
	1-4	K1730000010	steering column	1

1. Frame parts

LM285



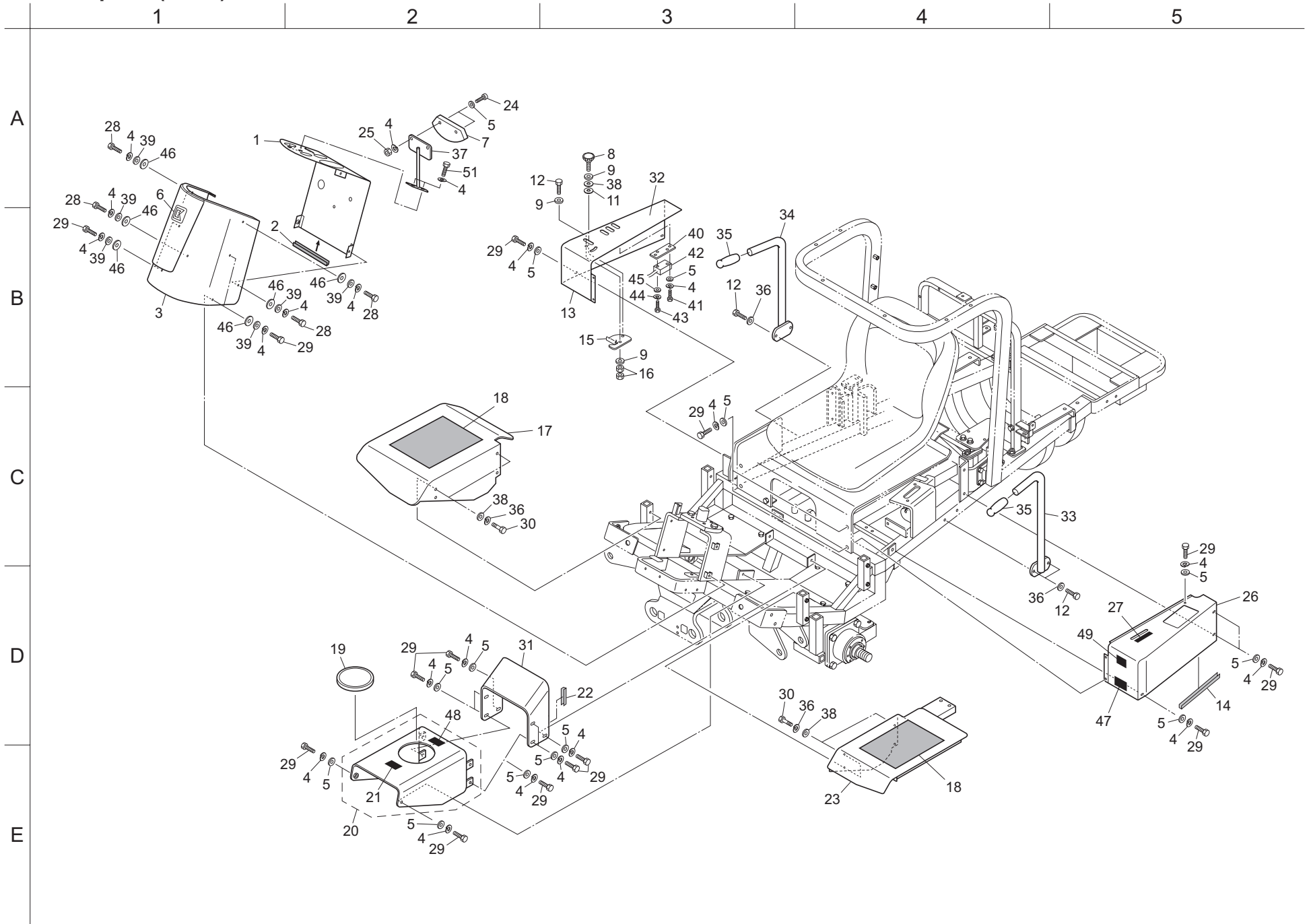
Cat No.	Code No.	Part Name	Qty	Remark
1-1	K170000290	seat Ass'y with switch spacer	1	
1-2	K0103140002	14 nut P1.5	1	
1-3	K0200140002	14S washer	1	
1-4	K1730000010	steering column	1	
1-5	LM318--0623Z0	step (R) rubber	1	
1-6	LM318--0648ZD	step (R)	1	
1-7	LM318--0625Z0	pedal step plate rubber	1	
1-8	K0200060002	6S washer	21	
1-9	LM318--0608Z0	step (L) rubber	1	
1-10	LM318--0647ZD	step (L)	1	
1-11	K0013120602	12 heat-treated bolt 60	8	
1-12	K0200120002	12S washer	16	
1-13	LM318--0609ZD	hydraulic motor mount fitting	2	
1-14	K4203001290	stop valve operation mark	1	
1-15	LM285--0959ZD	seat undercover	1	
1-16	K6030100322	10 flat-head pin 32	2	
1-17	LM282--0646AD	seat mount plate	1	
1-18	K0100080002	8 nut	17	
1-19	LM282--0958ZD	front cover center	1	
1-20	K0003080602	8 bolt 60	4	
1-21	LM282--0606Z0	seat base rubber	2	
1-22	LM282--0605BD	seat mount fitting (R)	1	
1-23	K0300025202	2.5 split pin 20	2	
1-24	K5011010162	1SPCC metal washer 1016	2	
1-25	K0000080202	8 bolt 20	5	
1-26	K1090000108	rod receiver B	1	
1-27	K5270002052	rod receiver A	1	
1-28	K0300016122	1.6 split pin 12	1	
1-29	LM282--0603BD	seat mount fitting (L)	1	
1-30	MS400--0521Z2	stand	1	
1-31				
1-32				
1-33	K4049030000	rubber stopper KI-30	2	
1-34	LM285--0601ZD	frame	1	
1-35	K0003080702	8 bolt 70	4	

Cat No.	Code No.	Part Name	Qty	Remark
1-36	K0000060152	6 bolt 15	15	
1-37	LM318--0630Z0	fuel tank heat insulator	1	
1-38				
1-39	LM318--0621ZD	anti-wind plate support	2	
1-40				
1-41	K0000060202	6 bolt 20	1	
1-42	LM318--0637ZD	fuel pump mount plate	1	
1-43	K0000100302	10 bolt 30	2	
1-44	K0000060102	6 bolt 10	6	
1-45	K0000080252	8 bolt 25	3	
1-46	K0100060002	6 nut	2	
1-47	K1710000070	steering with knob V027220-0000	1	
1-48	K1310000130	rubber cap	1	
1-49	K1710000080	steering V02722-0101	1	
1-50	K1710000090	knob Ass'y V027220-0200	1	
1-51	K0013120402	12 heat-treated bolt 40	8	
1-52				
1-53	K4281000020	8.5 harness clamp 80	1	
1-54	K5000080002	8 washer	6	
1-55	K5000100002	10 washer	4	
1-56	K5000120002	12 washer	8	
1-57	K0200080002	8S washer	15	
1-58	K0910000100	grommet C30NG79L	2	
1-59	K5000060002	6 washer	12	
1-60	K0200100002	10S washer	2	
1-61	K3198108200	black trim seal 6100-16C-820	2	
1-62	K4205001540	caution label - hot parts	1	
1-63	K4209001180	mark	1	
1-64	LM285--0671Z0	plate, wind shielding with mark	1	
1-65	LM285--0621ZD	stay, for tank	1	
1-66	LM285--0620ZD	bracket for fixing tank	1	
1-67	K9310000030	ROPS, 2 post with mark	1	
1-68	K4209001350	mark, ROPS certification	1	
1-69	K4205001710	mark, ROPS caution	1	
1-70	LM285--0653ZD	plate, L shaped	1	

LM285

2. Frame parts (Front)

LM285

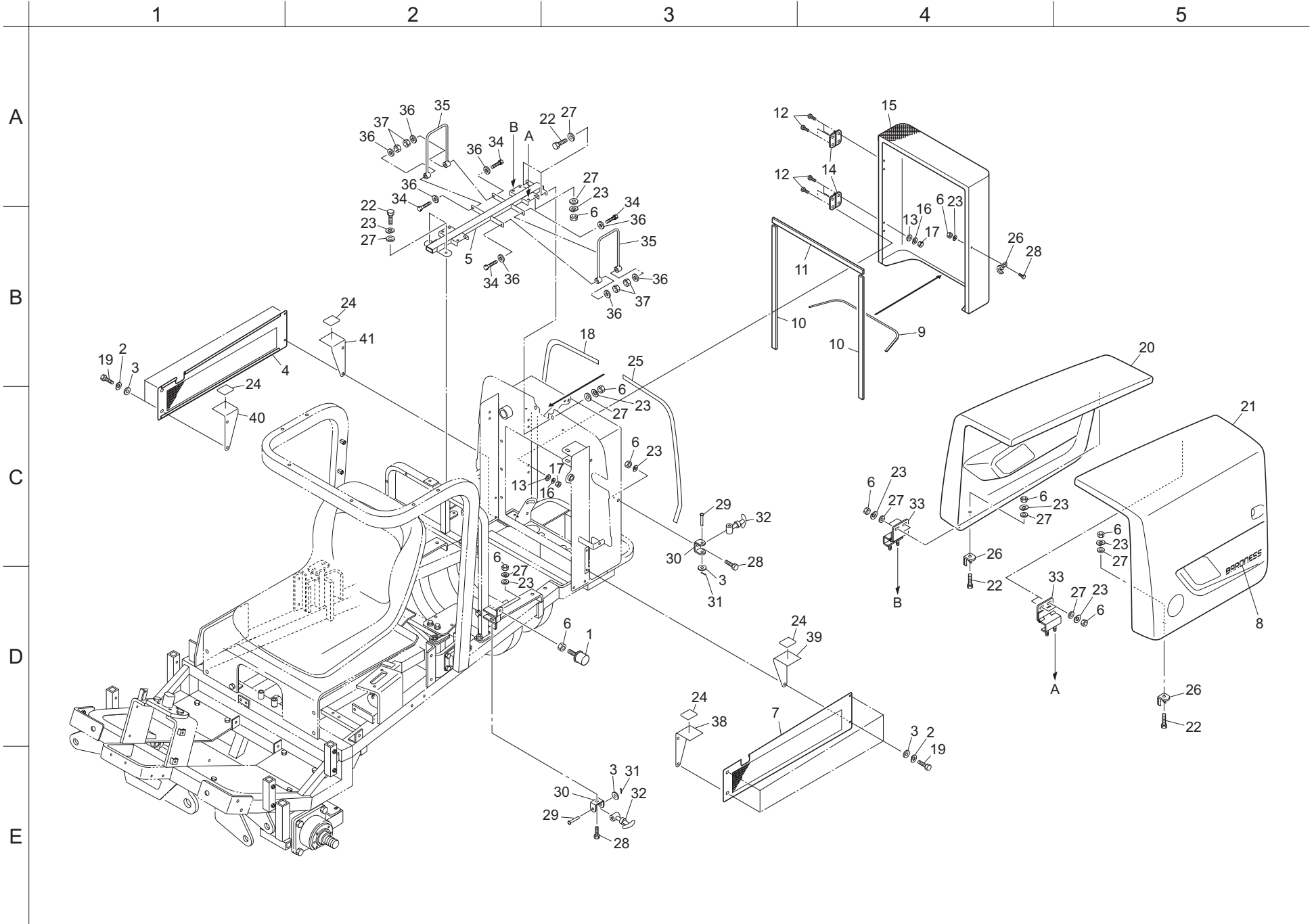


Cat No.	Code No.	Part Name	Qty	Remark
2-1	LM285--0957ZD	meter panel	1	
2-2	K3197002550	black trim small 255	1	
2-3	LM285--0906Z0	front cover COMP	1	
2-4	K0200060002	6S washer	31	
2-5	K5000060002	6 washer	21	
2-6	K4201000590	K mark	1	
2-7	K3654000010	angle gauge	1	
2-8	K1320000030	knob with M8 4215	1	
2-9	K0210080001	8 conical disk spring L	3	
2-10				
2-11	K4015108180	1 fiber 8.518	1	
2-12	K0000080202	8 bolt 20	5	
2-13	LM285--0972Z0	front cover (R) COMP	1	
2-14	K3197002000	black trim small 200	1	
2-15	LM285--0961ZD	stopper	1	
2-16	K0100080002	8 nut	2	
2-17	LM282--7504ZR	wheel cover (R)	1	
2-18	LM318--0965Z0	slip stopper	2	
2-19	K0900301200	grommet with film C30SG120A	1	
2-20	LM285--0968Z0	center cover front with mark	1	US/UK
2-21	K4209000980	hydraulic oil mark	1	
2-22	K3197000500	black trim small 50	1	
2-23	LM285--0951ZR	wheel cover (L)	1	
2-24	K0042060252	6+ round head small screw 25	2	
2-25	K0100060002	6 nut	2	
2-26	LM285--0971Z0	front cover (L) COMP	1	
2-27	K4203001220	engine rotation mark	1	
2-28	K0000060202	6 bolt 20	4	
2-29	K0000060152	6 bolt 15	23	
2-30	K0003080502	8 bolt 50	8	
2-31	LM318--0959ZD	center cover rear	1	
2-32	LM285--0967Z0	lever operation label	1	
2-33	LM285--0651ZD	hand rest (L)	1	
2-34	LM285--0652ZD	hand rest (R)	1	
2-35	K1300000020	handle grip 25.4	2	

Cat No.	Code No.	Part Name	Qty	Remark
2-36	K0200080002	8S washer	12	
2-37	LM285--2201ZD	mount plate	1	
2-38	K5000080002	8 washer	9	
2-39	K5011606202	1.6 SPCC metal washer 620	8	
2-40	LM285--0962Z2	switch mount plate	1	
2-41	K0000060102	6 bolt 10	2	
2-42	K3670000130	limit switch AZ3725-1	1	
2-43	K0042040252	4+ round head small screw 25	2	
2-44	K0200040002	4S washer	2	
2-45	K5000040002	4 washer	2	
2-46	K4030306200	3 rubber washer 6.520	8	
2-47	K4200000320	specification label LM285	1	
2-48	K4209001340	DO NOT STEP label	1	US/UK
2-49	K4209001290	noise level Lwa103 mark	1	US/UK
2-50				
2-51	K0060060120	6 stainless bolt with hex, hole 12	2	

3. Cover parts (Rear)

LM285

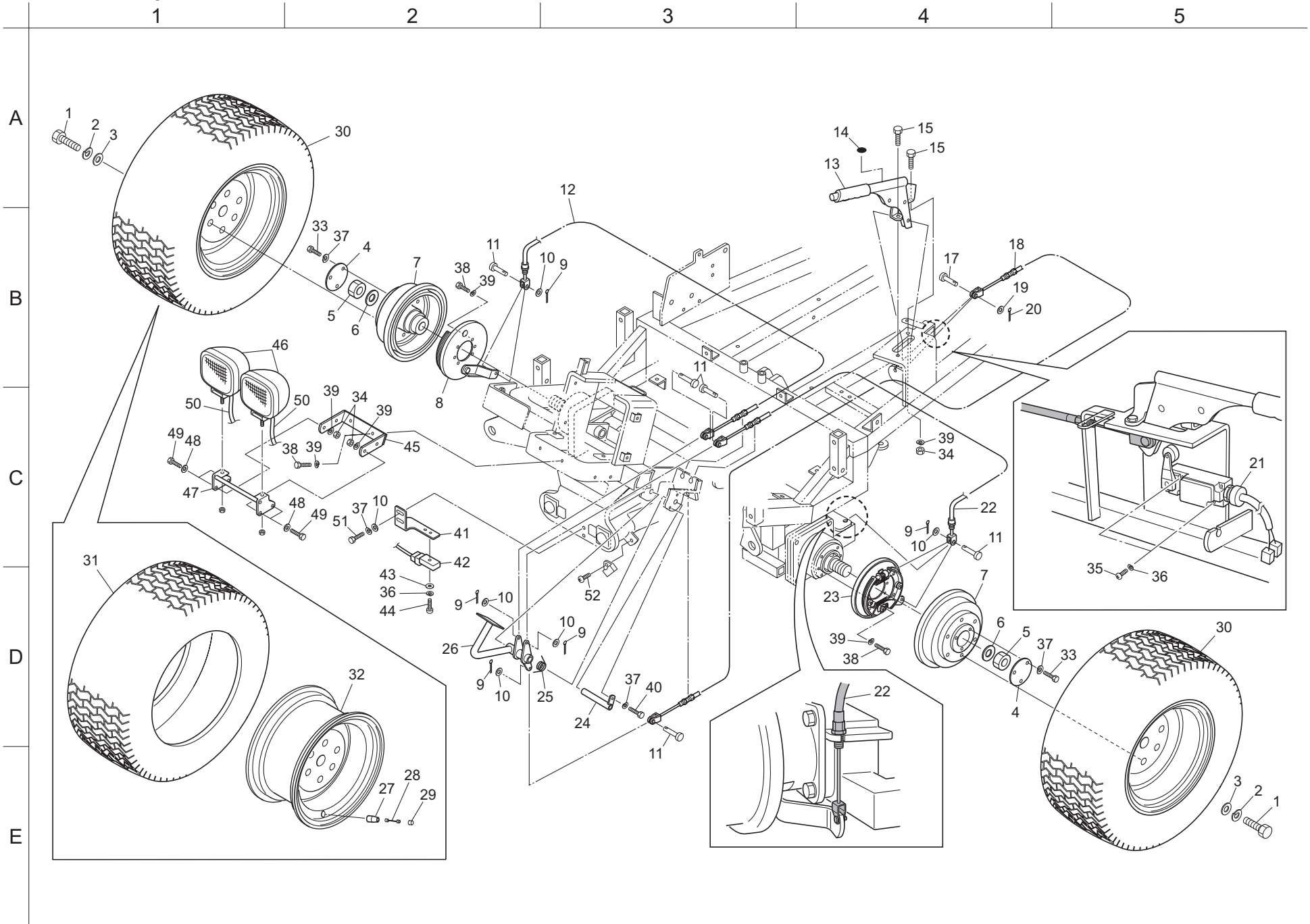


Cat No.	Code No.	Part Name	Qty	Remark
3-1	K4049030000	rubber stopper KI30	2	
3-2	K0200060002	6S washer	8	
3-3	K5000060002	6 washer	11	
3-4	LM285--0939ZD	side cover (R)	1	
3-5	LM285--0660ZD	bonnet mount fitting	1	
3-6	K0100080002	8 nut	26	
3-7	LM285--0938ZD	side cover (L)	1	
3-8	K4201000330	BARONESS mark 240S	2	
3-9	K3197005700	black trim small 570	1	
3-10	K4228000090	5 rubber sponge 15590	2	
3-11	K4228000100	5 rubber sponge 15500	1	
3-12	K0000050122	5 bolt 12	8	
3-13	K5000050002	5 washer	8	
3-14	K4520000210	5.2 resin hinge with hole 75	2	
3-15	LM285--0940ZD	radiator cover	1	
3-16	K0200050002	5S washer	8	
3-17	K0100050002	5 nut	8	
3-18	K3198305200	black trim seal 6100-32C-520	1	
3-19	K0000060152	6 bolt 15	8	
3-20	LM285--0905Z0	bonnet COMP (R)	1	
3-21	LM285--0904Z0	bonnet COMP (L)	1	US/UK
3-22	K0000080202	8 bolt 20	6	
3-23	K0200080002	8S washer	26	
3-24	K4033000430	1 rubber sheet 3045	4	
3-25	K3198304400	black trim seal 6100-32C-440	1	
3-26	K5270002352	rubber catch receiver	3	
3-27	K5000080002	8 washer	24	
3-28	K0000080152	8 bolt 15	4	
3-29	K6030060352	6 flat-head pin 35	3	
3-30	K5200000102	rubber catch stopper	3	
3-31	K0300016202	1.6 split pin 20	3	
3-32	K1520000090	rubber catch small	3	
3-33	GM2800-0920Z0	hinge Ass'y	4	
3-34	K0000100402	10 bolt 40	4	
3-35	GM1500-0932B2	bonnet support	2	

Cat No.	Code No.	Part Name	Qty	Remark
3-36	K5000100002	10 washer	8	
3-37	K0144100002	10U nut	4	
3-38	LM285--0965ZD	support left front	1	
3-39	LM285--0963ZD	support left rear	1	
3-40	LM285--0966ZD	support right front	1	
3-41	LM285--0964ZD	support right rear	1	
3-42				

4. Front wheel parts

LM285

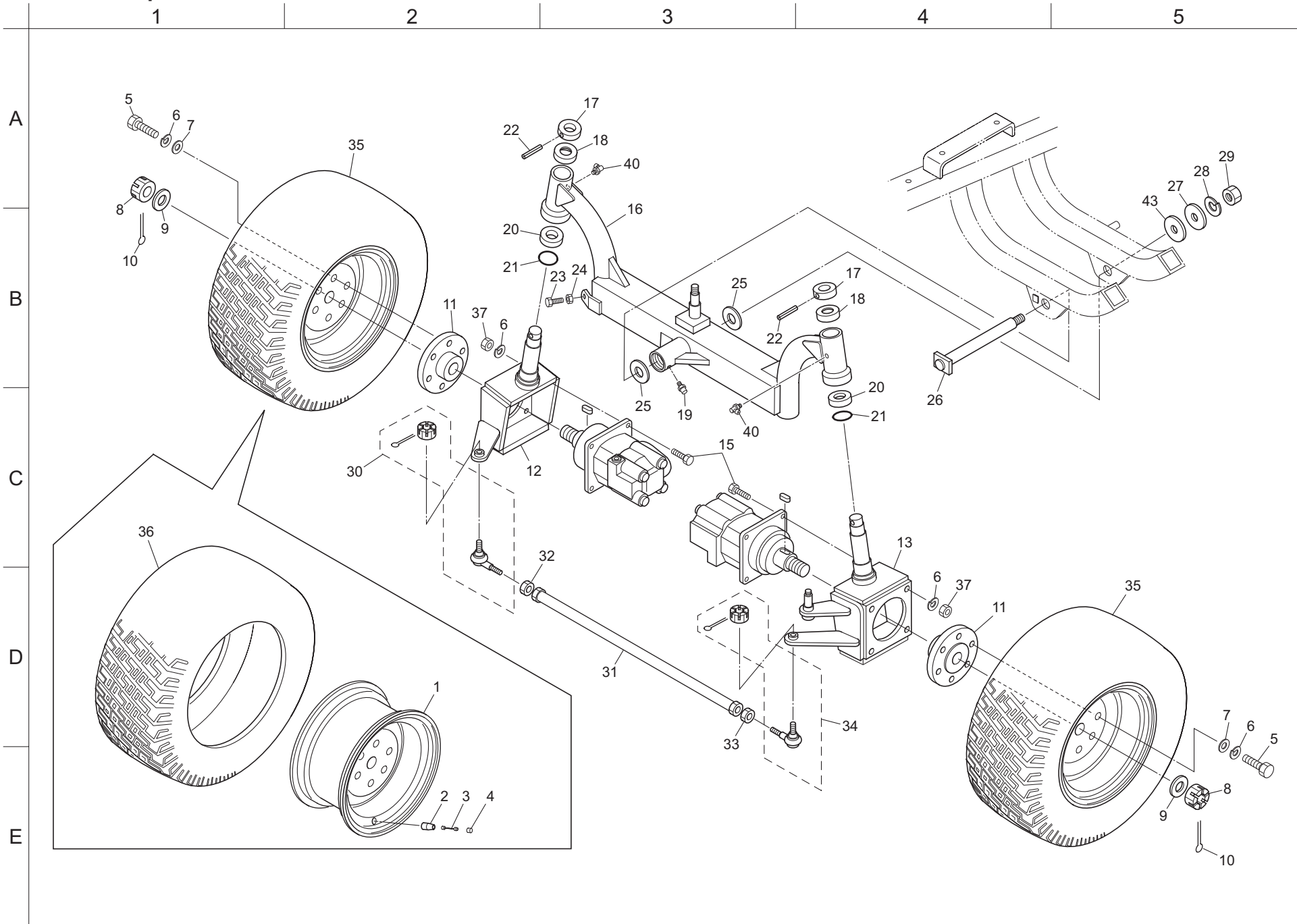


Cat No.	Code No.	Part Name	Qty	Remark
4-1	K0034120302	12 heat-treated 8T bolt 30P1.5	12	
4-2	K0200120002	12S washer	12	
4-3	K5074512252	4.5SPHC metal washer 1225	12	
4-4	K517000012D	cover	2	
4-5	K0160000492	24 special nut P1.5	2	
4-6	K0214240001	24 metal washer with conical disk spring 2L	2	
4-7	K6909000232	wheel mount base	2	
4-8	K1720000210	brake Ass'y (R) with lever	1	
4-9	K0300016202	1.6 split pin 20	5	
4-10	K5000060002	6 washer	7	
4-11	K6031060172	6 hardened flat-head pin 17	5	
4-12	K1120125000	brake wire 1250	1	
4-13	K1724000020	parking brake lever Ass'y	1	
4-14	K4209001200	brake mark	1	
4-15	K0000080202	8 bolt 20	2	
4-16				
4-17	K6030120242	12 flat head pin 24	1	
4-18	K1120141010	brake wire 1410	1	
4-19	K5000120002	12 washer	1	
4-20	K0300020202	2 split pin 20	1	
4-21	K3670000120	limit switch D4A-4717N	1	
4-22	K1120102000	brake wire 1020	1	
4-23	K1720000200	brake Ass'y (L) with lever	1	
4-24	LM282--0802Z2	pedal shaft	1	
4-25	K1050000068	tension return spring	1	
4-26	LM282--0817Z3	brake pedal	1	
4-27	K2097000010	rim valve TR413	2	
4-28	K2092000020	valve core No.9000	2	
4-29	K2093000010	valve cap	2	type R
4-30	K2040000600	tire M40B · 23×1050-12 Ass'y	2	type R
4-31	K2041000360	tire M40B · 23×1050-12	2	type R
4-32	K209000081L	wheel 8.5JA×12WDC	2	
4-33	K0000060102	6 bolt 10	6	
4-34	K0100080002	8 nut	6	
4-35	K0042050402	5+ round head small screw 40	2	

Cat No.	Code No.	Part Name	Qty	Remark
4-36	K0200050002	5S washer	3	
4-37	K0200060002	6S washer	9	
4-38	K0000080152	8 bolt 15	14	
4-39	K0200080002	8S washer	20	
4-40	K0000060202	6 bolt 20	1	
4-41	LM285--0207ZD	sensor mount plate	1	
4-42	K3720000140	proximity switch NC	1	
4-43	K5000050002	5 washer	1	
4-44	K0000050202	5 bolt 20	1	
4-45	LM285--1102ZD	light stay	1	
4-46	K3640000070	working lamp WL-B220A	2	
4-47	LM2700-1701ZD	light bracket	1	
4-48	K5000080002	8 washer	4	
4-49	K0000080252	8 bolt 25	4	
4-50	K3194001000	7 corrugate tube 100	2	
4-51	K0000060152	6 bolt 15	2	
4-52	K0048050102	5+ round head small screw 10S	1	
4-53				
4-54				
4-55				

5. Rear wheel parts

LM285

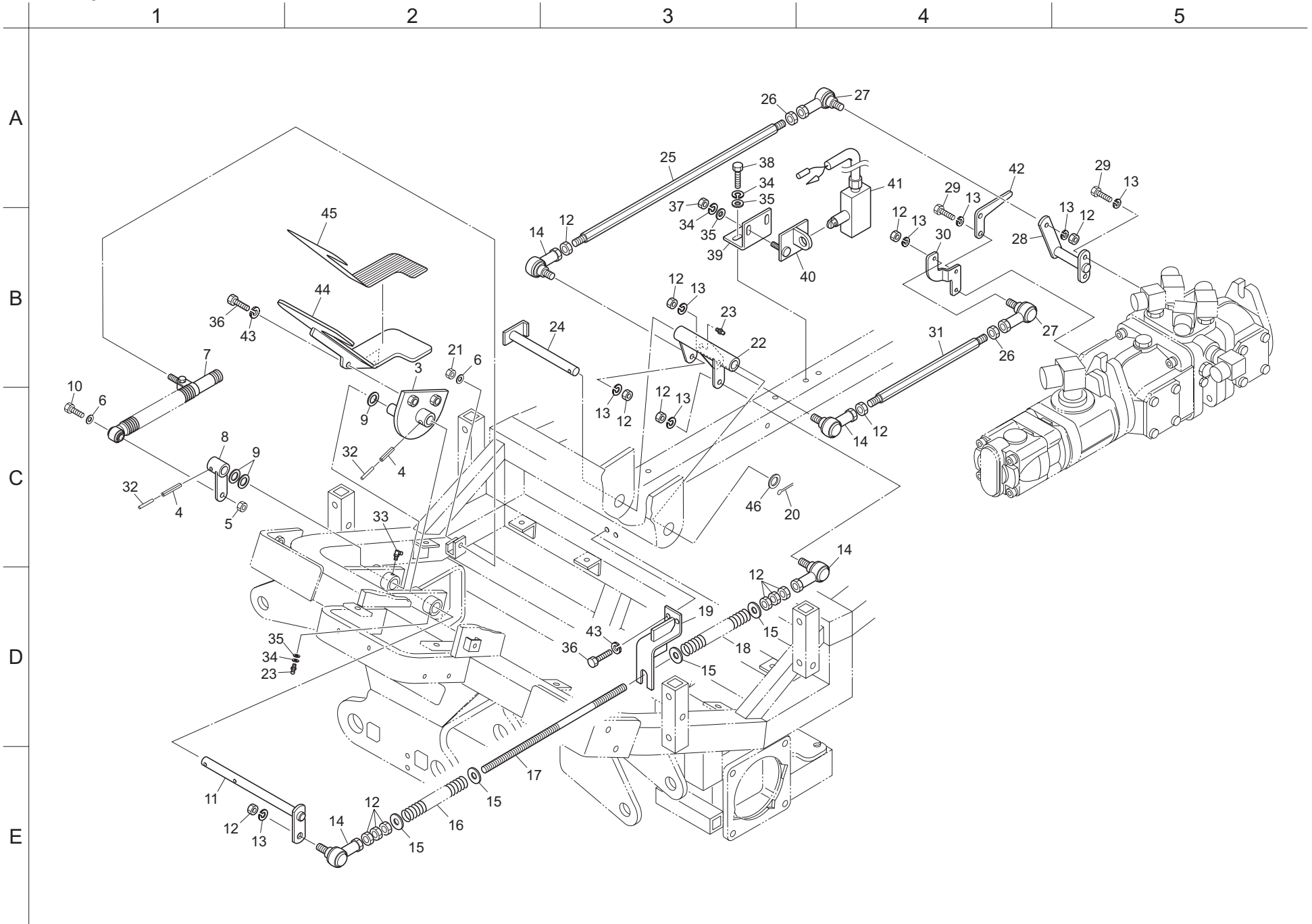


Cat No.	Code No.	Part Name	Qty	Remark
5-1	K209000054L	wheel 7JA×12WDC	2	
5-2	K2097000010	rim valve TR413	2	
5-3	K2092000010	valve core No.8000	2	
5-4	K2093000010	valve cap	2	
5-5	K0011120302	12 heat-treated bolt 30P1.5	12	
5-6	K0200120002	12S washer	20	
5-7	K5074512252	4.5SPHC metal washer 1225	12	
5-8	K0138240002	24 slotted high nut P1.5	2	
5-9	K5000240002	24 washer	2	
5-10	K0300050452	5 split pin 45	2	
5-11	LM318--0304AD	rear wheel mount base 80	2	
5-12	LM318--0302CD	kingpin (R)	1	
5-13	LM318--0303CD	kingpin (L)	1	
5-14				
5-15	K0000120452	12 bolt 45	8	
5-16	LM318--0301DD	pivot	1	
5-17	K6213000113	25 collar with hole 5020	2	
5-18	K6204000383	cover	2	
5-19	K1440000010	grease nipple	1	
5-20	K0640511070	thrust bearing 51107	2	
5-21	K0880048000	O-ring P48	2	
5-22	K0320080501	8 spring pin 50	2	
5-23	K0000100252	10 bolt 25	1	
5-24	K0100100002	10 nut	1	
5-25	K5051030500	1C5191P metal washer 3050	2	
5-26	K7147000198	pivot pin	1	
5-27	K5073216352	3.2SPHC metal washer 1635	1	
5-28	K0200160002	16S washer	1	
5-29	K0100160002	16 nut	1	
5-30	K1610000020	tie-rod end right Ass'y	1	
5-31	LM318--0305ZD	tie-rod	1	
5-32	K0160000192	17 special nut P1.5	1	
5-33	K0160000202	17 left-hand thread special nut P1.5	1	
5-34	K1611000020	tie-rod end left Ass'y	1	
5-35	K2040000610	tire M40B · 23×850-12 Ass'y	2	type R

Cat No.	Code No.	Part Name	Qty	Remark
5-36	K2041000370	tire M40B · 23×850-12	2	type R
5-37	K0100120002	12 nut	8	
5-38				
5-39				
5-40	K1440000020	C shaped grease nipple	2	
5-41				
5-42				
5-43	K5051030420	1C5191P washer 3042	1	

6. Pedal parts

LM285

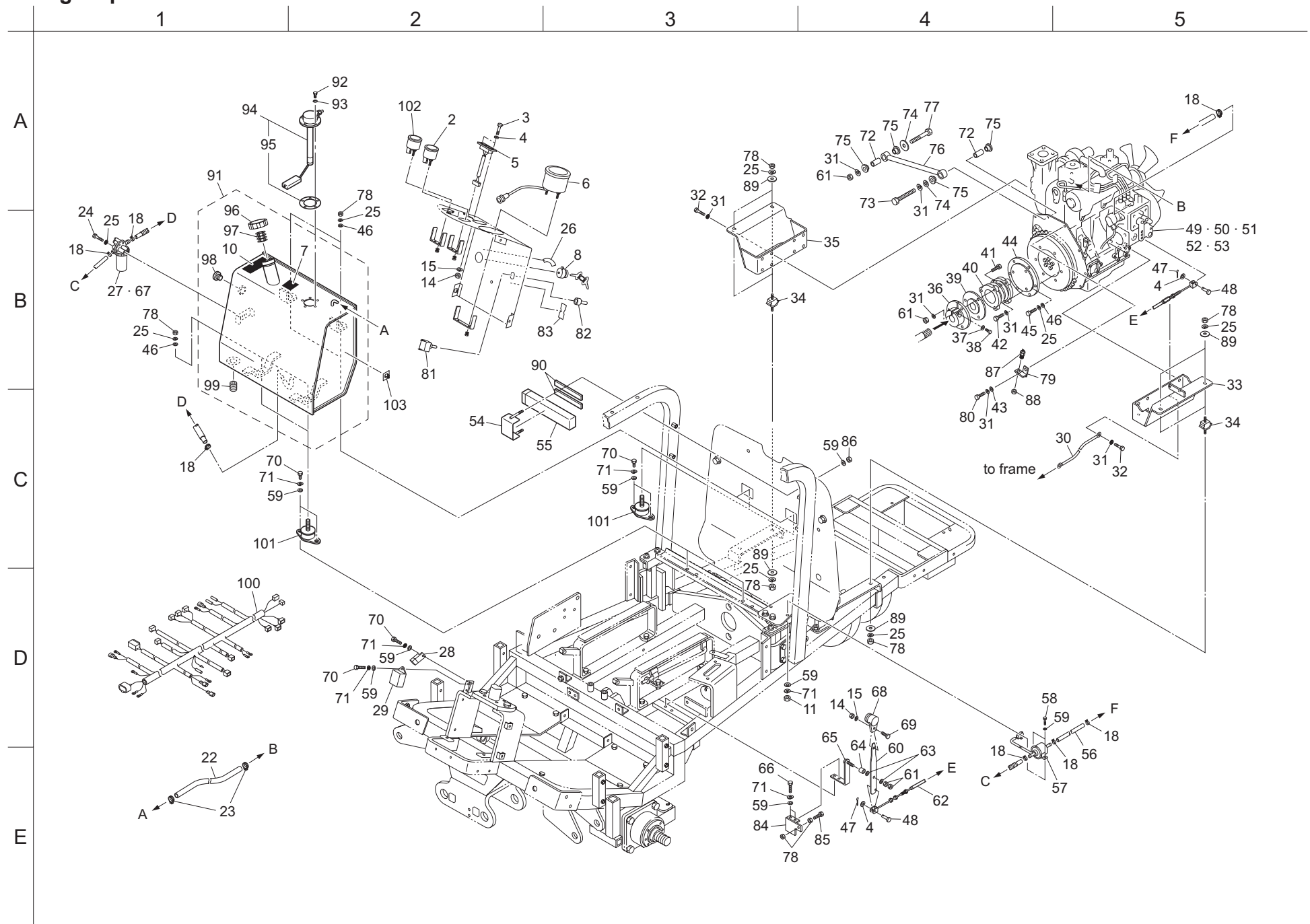


Cat No.	Code No.	Part Name	Qty	Remark
6-1				
6-2				
6-3	LM318--0802ZD	pedal (under)	1	
6-4	K0320050281	5 spring pin 28	2	
6-5	K0100080002	8 nut	1	
6-6	K5000080002	8 washer	2	
6-7	K3380000010	lever damper	1	
6-8	LM318--0813B2	damper lever	1	
6-9	K5051016240	1C5191P metal washer 1624	3~4	for adjustment
6-10	K0000080352	8 bolt 35	1	
6-11	LM318--0803Z2	pedal shaft	1	
6-12	K0100100002	10 nut	14	
6-13	K0200100002	10S washer	10	
6-14	K1604100000	rod end LHSA10	4	
6-15	K5012311242	2.3SPHC metal washer 1124	4	
6-16	LM318--0815Z8	3 compression spring 21105	1	
6-17	LM318--0805Z2	rod	1	
6-18	LM318--0816Z8	3 compression spring 2180	1	
6-19	LM318--0808ZD	neutral fitting	1	
6-20	K0300040502	4 split pin 50	1	
6-21	K0144080002	8U nut	1	
6-22	LM318--0804Z2	idle lever	1	
6-23	K1440000010	grease nipple	2	
6-24	LM318--0811A2	idle lever shaft	1	
6-25	LM318--0807Z2	rod	1	
6-26	K0180100002	10 left-hand thread nut	2	
6-27	K16041000L0	rod end LHSA10L	2	
6-28	LM318--0809Z2	shift lever	1	
6-29	K0001100252	10 bolt 25 P1.25	4	
6-30	LM318--0810Z2	shift lever	1	
6-31	LM318--0806Z2	rod	1	
6-32	K0320030251	3 spring pin 25	2	
6-33	K1440000020	C-shaped grease nipple	1	
6-34	K0200060002	6S washer	5	
6-35	K5000060002	6 washer	5	

Cat No.	Code No.	Part Name	Qty	Remark
6-36	K0000080202	8 bolt 20	4	
6-37	K0100060002	6 nut	2	
6-38	K0000060152	6 bolt 15	2	
6-39	LM282--7515ZD	switch mount base	1	
6-40	LM282--7516ZD	switch mount fitting	1	
6-41	K3671000050	limit switch SLI-A	1	
6-42	LM282--7514Z2	neutral lever	1	
6-43	K0200080002	8S washer	4	
6-44	LM285--0801ZD	pedal	1	
6-45	LM285--0802Z0	pedal rubber	1	
6-46	K5011016222	ISPCC washer 1622	1	

7. Engine parts

LM285



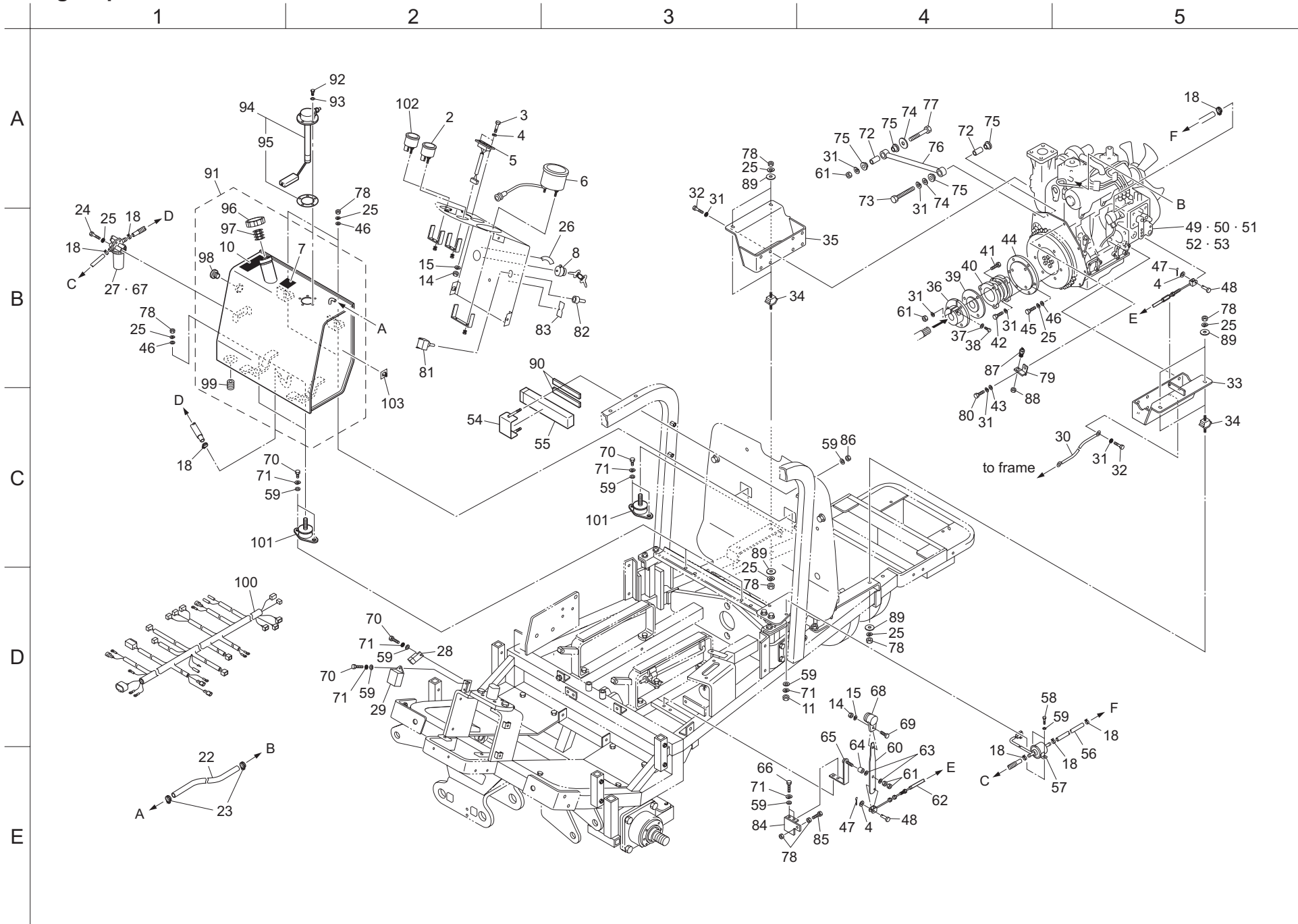
Cat No.	Code No.	Part Name	Qty	Remark
7-1				
7-2	PF19488-8303-0	water temperature gauge	1	
7-3	K0042050122	5+ round head small screw 12	2	
7-4	K5000050002	5 washer	4	
7-5	K3641000040	pilot lamp	1	
7-6	PF15886-8301-1	hour meter Ass'y	1	
7-7	K4209001330	diesel fuel indication mark	1	
7-8	PF15248-6359-0	starter switch	1	
7-9				
7-10	K4209001000	diesel fuel refueling hole mark	1	
7-11	K0100060002	6 nut	2	
7-12				
7-13				
7-14	K0100050002	5 nut	3	
7-15	K0200050002	5S washer	3	
7-16				
7-17				
7-18	PF14911-4275-1	pipe clip	6	
7-19				
7-20				
7-21				
7-22	PF09661-4210-0	fuel tube	1	
7-23	PF14971-4275-1	pipe clip	2	
7-24	K0003080602	8 bolt 60	1	
7-25	K0200080002	8S washer	13	
7-26	K4209001190	key switch label	1	
7-27	PF15393-4301-7	fuel filter Ass'y	1	
7-28	PF1K574-6022-0	relay comp.	1	
7-29	PF15694-6599-0	glow lamp timer	1	
7-30	K3611000360	ground wire 500	1	
7-31	K0200100002	10S washer	22	
7-32	K0017100252	10 small heat-treated bolt 25P1.25	16	
7-33	LM285--0516ZD	engine base (L)	1	
7-34	K4040000150	anti-vibration rubber EC4001	4	
7-35	LM285--0517ZD	engine base (R)	1	

Cat No.	Code No.	Part Name	Qty	Remark
7-36	LM282--0541Z2	pump side drive disk	1	
7-37	K0215100002	10 metal washer with conical disk spring 2H	1	
7-38	K0024100351	10 bolt with hex. hole 35	1	
7-39	K6204000562	spacer 118	1	
7-40	K1620000120	joint BC75ACP201	1	
7-41	K0010100352	10 heat-treated bolt 35	3	
7-42	K0010100202	10 heat-treated bolt 20	3	
7-43	K5000100002	10 washer	1	
7-44	LM282--0542Z2	joint mount fitting	1	
7-45	K0010080202	8 heat-treated bolt 20	6	
7-46	K5000080002	8 washer	10	
7-47	K0300016202	1.6 split pin 20	2	
7-48	K6030050122	5 flat-head pin 12	2	
7-49	K2691000100	Kubota engine D1105-T-E3B	1	
7-50	PF16271-3209-3	oil element	1	
7-51	PF1G345-9701-0	fan belt	1	
7-52	PF15221-3375-0	plug (drain bolt)	1	
7-53	PF6C090-5896-0	gasket (drain oil pan)	1	
7-54	LM285--1002ZD	mount fitting	1	
7-55	LM285--1001Z0	manual case	1	
7-56	PF09661-8250-0	fuel tube	1	
7-57	PFR1401-5135-1	fuel sending pump	1	
7-58	K0000060152	6 bolt 15	2	
7-59	K5000060002	6 washer	18	
7-60	LM318--0510Z2	lever plate	1	
7-61	K0100100002	10 nut	6	
7-62	K1110101000	throttle wire 1010	1	
7-63	K0210100001	10 conical disk spring L	2	
7-64	K6212000092	10STKM collar 1610	1	
7-65	LM318--0511Z2	throttle lever mount fitting	1	
7-66	K0000060202	6 bolt 20	2	
7-67	PF15231-4356-0	fuel element	1	
7-68	K1301000150	throttle lever grip	1	
7-69	K0042050082	5+ round head small screw 8	1	
7-70	K0000060102	6 bolt 10	10	

LM285

7. Engine parts

LM285

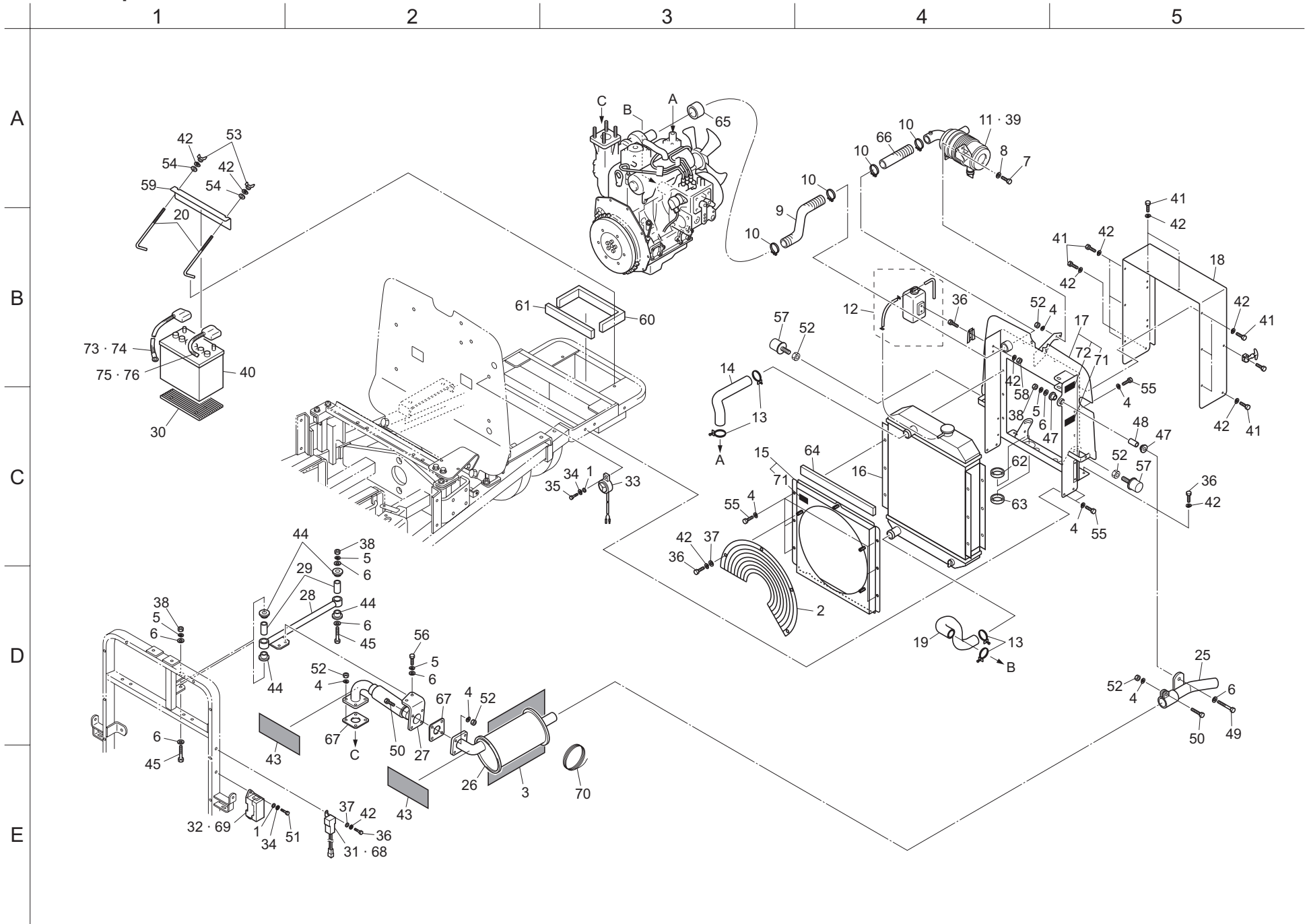


Cat No.	Code No.	Part Name	Qty	Remark
7-71	K0200060002	6S washer	14	
7-72	K6211000062	12.75SGP collar 17.331	2	
7-73	K0014100602	10 heat-treated bolt 60P1.25	1	
7-74	K5073210352	3.2SPHC metal washer 1035	2	
7-75	K4031000310	rubber 32	4	
7-76	LM285--0551ZD	torque rod	1	
7-77	K0003100602	10 bolt 60	1	
7-78	K0100080002	8 nut	14	
7-79	LM285--0550ZD	pickup mount fitting	1	
7-80	K0001100302	10 bolt 30P1.25	1	
7-81	K3662000060	Satori toggle ST115AT	1	
7-82	K4031000300	rubber cap WD1911	1	
7-83	K4203001410	light switch mark	1	
7-84	LM282--0560Z2	stopper	1	
7-85	K0000080352	8 bolt 35	1	
7-86	K0144060002	6U nut	2	
7-87	PF56713-4293-1	electromagnetic pickup	1	
7-88	PF02172-5018-0	nut	1	
7-89	K5012308202	2.3SPCC metal washer 820	8	
7-90	K4228000040	5 rubber sponge 15230	2	
7-91	LM285--0506A0	fuel tank comp	1	
7-92	K0000050152	5 bolt 15	5	
7-93	K0922050000	seal washer 5WF	5	
7-94	K2721000100	tank unit 225 x 175	1	
7-95	K2721000020	packing	1	
7-96	K1410000070-Y	filler cap ass'y	1	
7-97	K3420000030	filter net	1	
7-98	K1400000044-Y	PF3/4 oil plug M type	1	
7-99	K1422106001-Y	tapered plug with hex, hole type1 3/8	1	
7-100	LM285--0505Z0	harness	1	
7-101	K4042000040	rubber, anti-vibration KB-30	4	
7-102	K3653000010	fuel gauge 52BG2	1	
7-103	K4251000020	sticker, wire S20	1	

Cat No.	Code No.	Part Name	Qty	Remark

8. Radiator parts

LM285

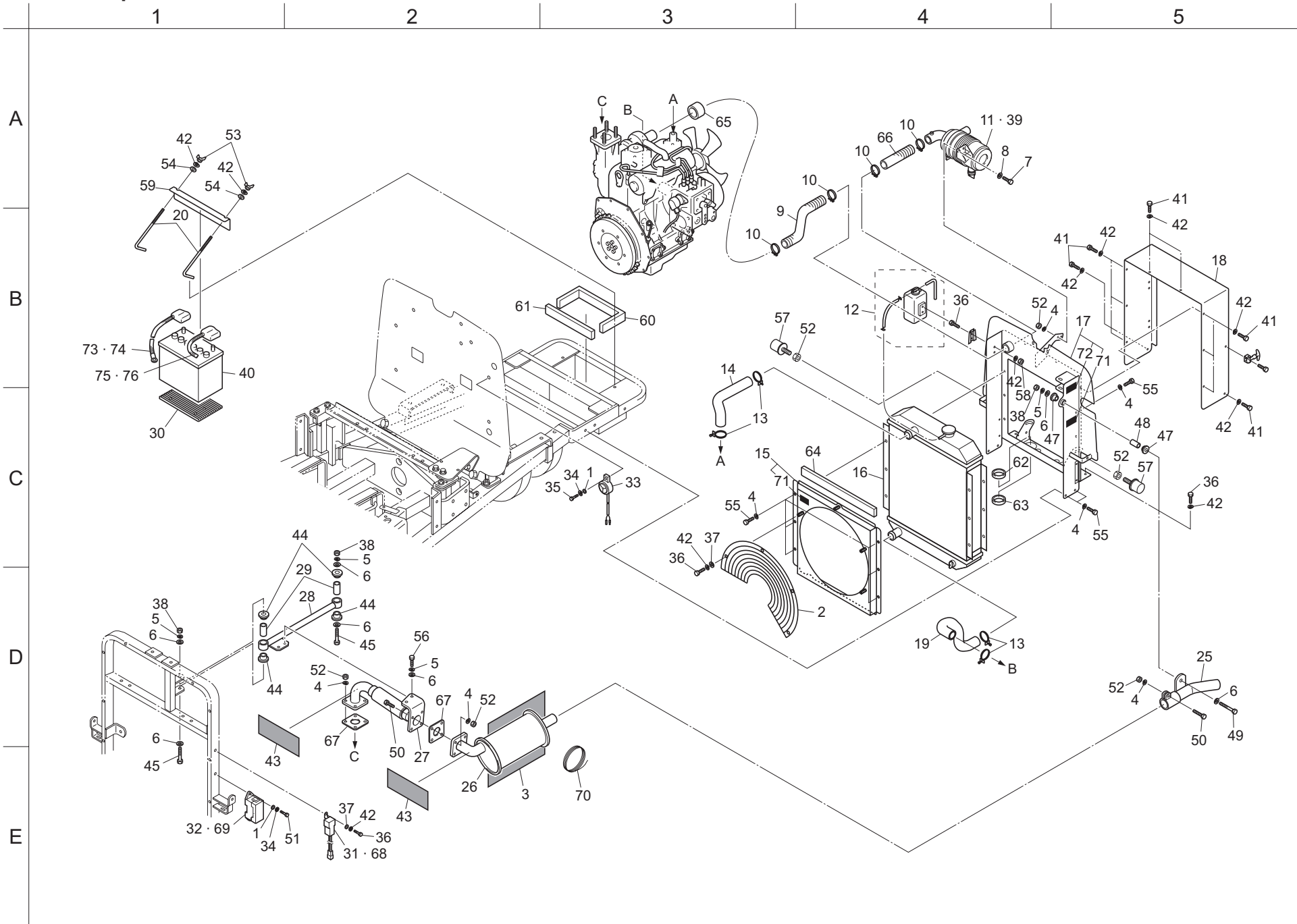


Cat No.	Code No.	Part Name	Qty	Remark
8-1	K5000050002	5 washer	3	
8-2	PF1G690-7412-0	fan cover	1	
8-3	K4230000140	1.6 heat insulating plate 285420	1	
8-4	K0200080002	8S washer	27	
8-5	K0200100002	10S washer	5	
8-6	K5000100002	10 washer	8	
8-7	K0000080202	8 bolt 20	2	
8-8	K5000080002	8 washer	2	
8-9	K3170004000	50 banner A hose 400	1	
8-10	K4262057000	LS band 57	4	
8-11	PF17407-1101-0	air cleaner	1	
8-12	PFRC411-4268-1	reserve tank Ass'y	1	
8-13	PF09318-8903-9	hose clamp	4	
8-14	PF16292-7294-1	water pipe 4	1	
8-15	LM285--0560Z0	shroud with mark	1	
8-16	K2730000030	radiator	1	
8-17	LM285--0561Z0	radiator mount fitting with mark	1	
8-18	LM285--0941ZD	box	1	
8-19	PF1G345-7285-0	hose (1, water)	1	
8-20	LM285--0913A2	rod with M6	2	
8-21				
8-22				
8-23				
8-24				
8-25	LM285--0553ZU	tail pipe	1	
8-26	K2693000030	muffler	1	
8-27	LM285--0552ZU	exhaust flexible pipe	1	
8-28	LM285--0554ZD	support bar	1	
8-29	K6211000022	12.7 collar 17.340	2	
8-30	K4035000020	battery anti-vibration rubber 256	1	
8-31	K3620000720	fusible link	1	
8-32	K3630000110	mini-fuse block 10P-B	1	
8-33	K3700000010	buzzer EBM-12 type	1	
8-34	K0200050002	5S washer	3	
8-35	K0000050252	5 bolt 25	1	

Cat No.	Code No.	Part Name	Qty	Remark
8-36	K0000060152	6 bolt 15	9	
8-37	K5000060002	6 washer	5	
8-38	K0100100002	10 nut	3	
8-39	PFT0270-1632-0	air cleaner element	1	
8-40	K3600000160	battery FX75D23L	1	
8-41	K0000060102	6 bolt 10	10	
8-42	K0200060002	6S washer	21	
8-43	K4230000040	1.6 heat insulating plate 301000	2	
8-44	K4031000050	rubber for handle 35	4	
8-45	K0010100702	10 heat treated bolt 70	2	
8-46				
8-47	K4031000020	rubber for handle 32	2	
8-48	K6211000062	12.7SGP collar 17.331	1	
8-49	K0003100502	10 bolt 50	1	
8-50	K0000080302	8 bolt 30	4	
8-51	K0000050152	5 bolt 15	2	
8-52	K0100080002	8 nut	13	
8-53	K0141060002	6 wing nut 3	2	
8-54	K5012306162	2.3SPCC metal washer 616	2	
8-55	K0000080152	8 bolt 15	16	
8-56	K0000100252	10 bolt 25	2	
8-57	K4049030000	rubber stopper KI-30	2	
8-58	K0100060002	6 nut	2	
8-59	LM285--0911Z2	battery holder	1	
8-60	GM1600-0519Z0	8 rubber sponge 610	1	
8-61	GM1600-0520Z0	8 rubber sponge 250	1	
8-62	K0900300660	grommet with film C30SG66A	2	
8-63	K0900300260	grommet with film C30SG26A	2	
8-64	LM282--0522Z0	urethane sponge	2	
8-65	LM285--0555Z0	turbine collar	1	
8-66	K3170001500	50 banner A hose 150	1	
8-67	PF15263-1237-0	muffler packing NA	2	
8-68	K3631000100	plug-in fuse 50A	1	
8-69	K3631000070	mini-blade fuse 5A	1	
8-70	K4980015000	ø1.2 stainless wire 1500	1	

8. Radiator parts

LM285

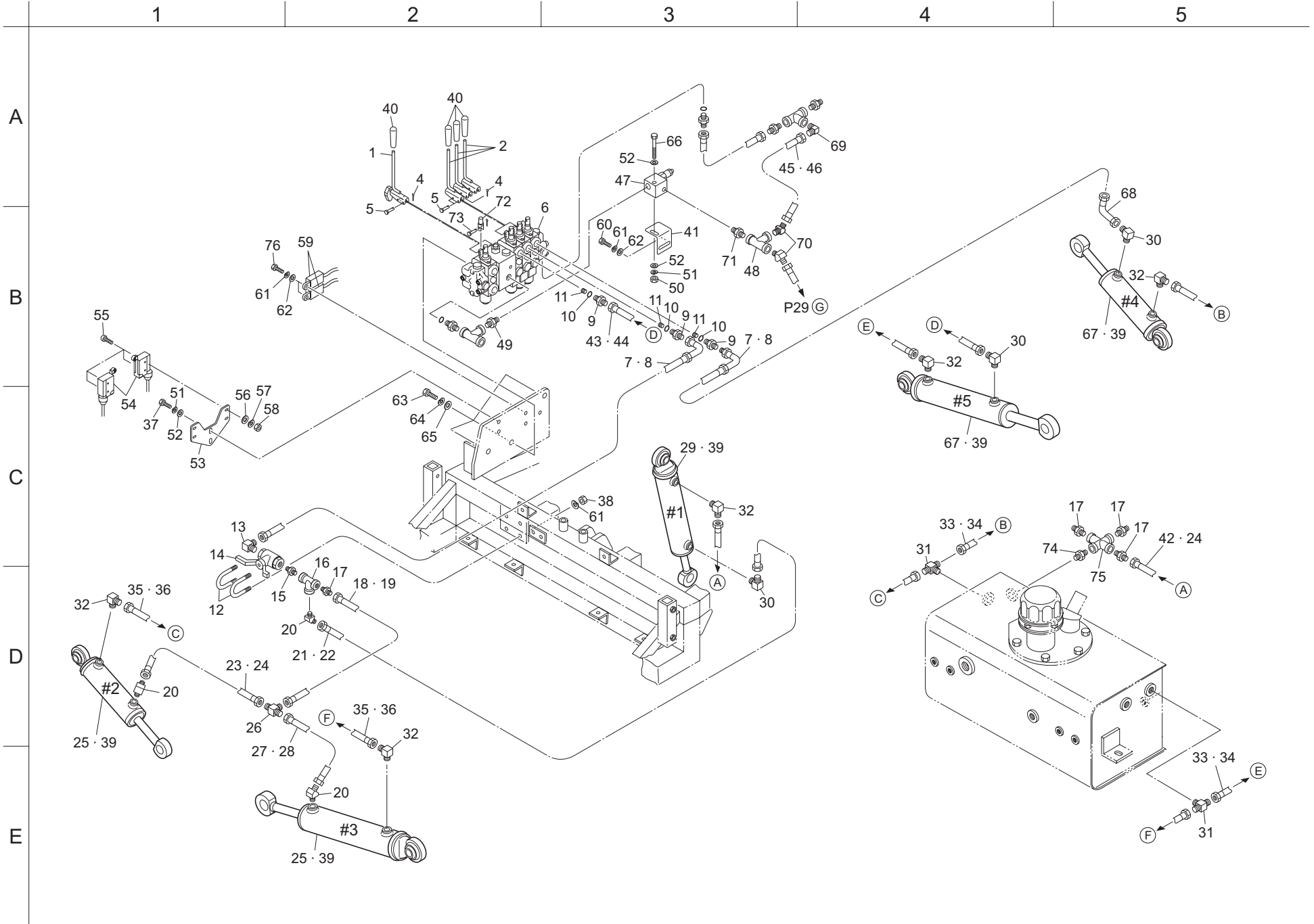


Cat No.	Code No.	Part Name	Qty	Remark
8-71	K4205001530	caution label-rotating parts	2	
8-72	K4205001540	caution label - hot parts	1	
8-73	K3610000230	battery (+) wire 1250	1	
8-74	K3196012000	13 corrugate tube 1200	1	
8-75	K3611000420	battery earth code 1000	1	
8-76	K3196009500	13 corrugate tube 950	1	

Cat No.	Code No.	Part Name	Qty	Remark

9. Hydraulic parts A (Cylinder system)

LM285

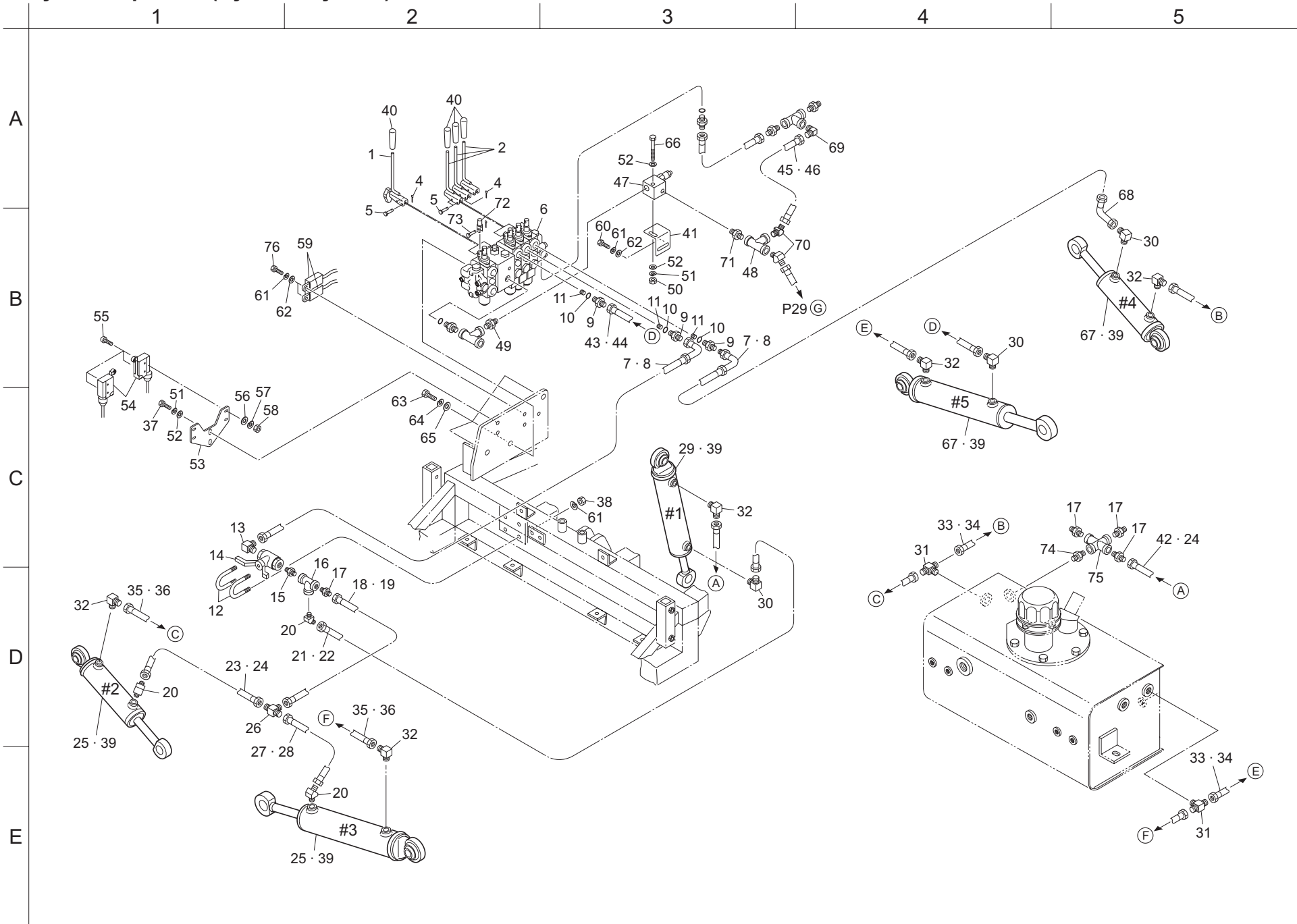


Cat No.	Code No.	Part Name	Qty	Remark
9-1	LM285--0702Z2	reel rotation lever	1	
9-2	LM285--0701Z2	raise/lower lever	3	
9-3				
9-4	K0300020102	2 split pin 10	4	
9-5	Y80103-1139-2	pin ø5 x 24	8	
9-6	K3303000030	ASV50 quadruplet valve	1	
9-7	K3103230450	WP140-6 hose 3-450	2	
9-8	K3190003500	SP-12 coil tube 350	2	
9-9	K3029000152-Y	O-ring connector (short) PF3/8PF1/4	3	
9-10	K0881014000	O-ring P14B	5	
9-11	K0023000031-Y	taper plug with hex. hole 1pc 1/8-1	3	
9-12	K0073000022	6U bolt 40	2	
9-13	K3006000012-Y	different diameter elbow PT3/8PF1/4	1	
9-14	K3360000010	stop valve 397819	1	
9-15	K3029000211-Y	different diameter nipple PT3/8PT1/4	1	
9-16	K3021040002-Y	screwed type tee TEFPT1/4	1	
9-17	K3000060002-Y	adaptor 1013-6	4	
9-18	K3145000160	SSC140 hose 570	1	
9-19	K3190004700	SP-12 coil tube 470	1	
9-20	K3003060002-Y	45 elbow 1035-6	3	
9-21	K3145000150	IB140 hose 460	1	
9-22	K3190003600	SP-12 coil tube 360	1	
9-23	K3145000180	IB140 hose 400	1	
9-24	K3190003000	SP-12 coil tube 300	2	
9-25	K3205000030	40-110 cylinder 307	2	
9-26	K3008000092-Y	tee for hose PF1/4	1	
9-27	K3145000170	IB140 hose 320	1	
9-28	K3190002200	SP-12 coil tube 220	1	
9-29	K3205000020	40-70 cylinder 252	1	
9-30	K3001060002-Y	90 elbow 1033-6	5	
9-31	K3029000352-Y	special tee PT1/4PF1/4	2	
9-32	K3006000152-Y	different diameter elbow PT1/8PF1/4	5	
9-33	K3101210960	WP70-6 hose 1-960	2	
9-34	K3190008600	SP-12 coil tube 860	2	
9-35	K3101230270	WP70-6 hose 3-270	2	

Cat No.	Code No.	Part Name	Qty	Remark
9-36	K3190001700	SP-12 coil tube 170	2	
9-37	K0000080152	8 bolt 15	2	
9-38	K0100060002	6 nut	4	
9-39	YD10000896-1	seal Ass'y	4	
9-40	K1300000180	7 black grip 23	4	
9-41	LM285--0662ZD	relief valve mount plate	1	
9-42	K3101210400	WP70-6 hose 1-400	1	
9-43	K3103230900	WP140-6 hose 3-900	1	
9-44	K3190008000	SP-12 coil tube 800	1	
9-45	K3100410340	WP35-12 hose 1-340	1	
9-46	K3191001900	SP-15 coil tube 190	1	
9-47	K3315000050	relief valve	1	
9-48	K3021080002-Y	screwed type tee TEFPT1/2	1	
9-49	K3023060001-Y	nipple NSPT3/8	1	
9-50	K0100080002	8 nut	1	
9-51	K0200080002	8S washer	3	
9-52	K5000080002	8 washer	4	
9-53	LM285--0661ZD	switch mount plate	1	
9-54	K3670000140	limit switch SWAZ7121N0	2	
9-55	K0042040302	4+ round head small screw 30	4	
9-56	K5000040002	4 washer	4	
9-57	K0200040002	4S washer	4	
9-58	K0100040002	4 nut	4	
9-59	K3681000060	relay CAlaF-12V-N-5	2	
9-60	K0000060202	6 bolt 20	2	
9-61	K0200060002	6S washer	8	
9-62	K5000060002	6 washer	4	
9-63	K0000120252	12 bolt 25	3	
9-64	K0200120002	12S washer	3	
9-65	K5000120002	12 washer	3	
9-66	K0003080502	8 bolt 50	1	
9-67	K3205000040	40-158 cylinder 352	2	
9-68	K3000120002-Y	adaptor 1013-12	2	
9-69	K3001120002-Y	90 elbow 1033-12	1	
9-70	K3003120002-Y	45 elbow 1035-12	2	

9. Hydraulic parts A (Cylinder system)

LM285

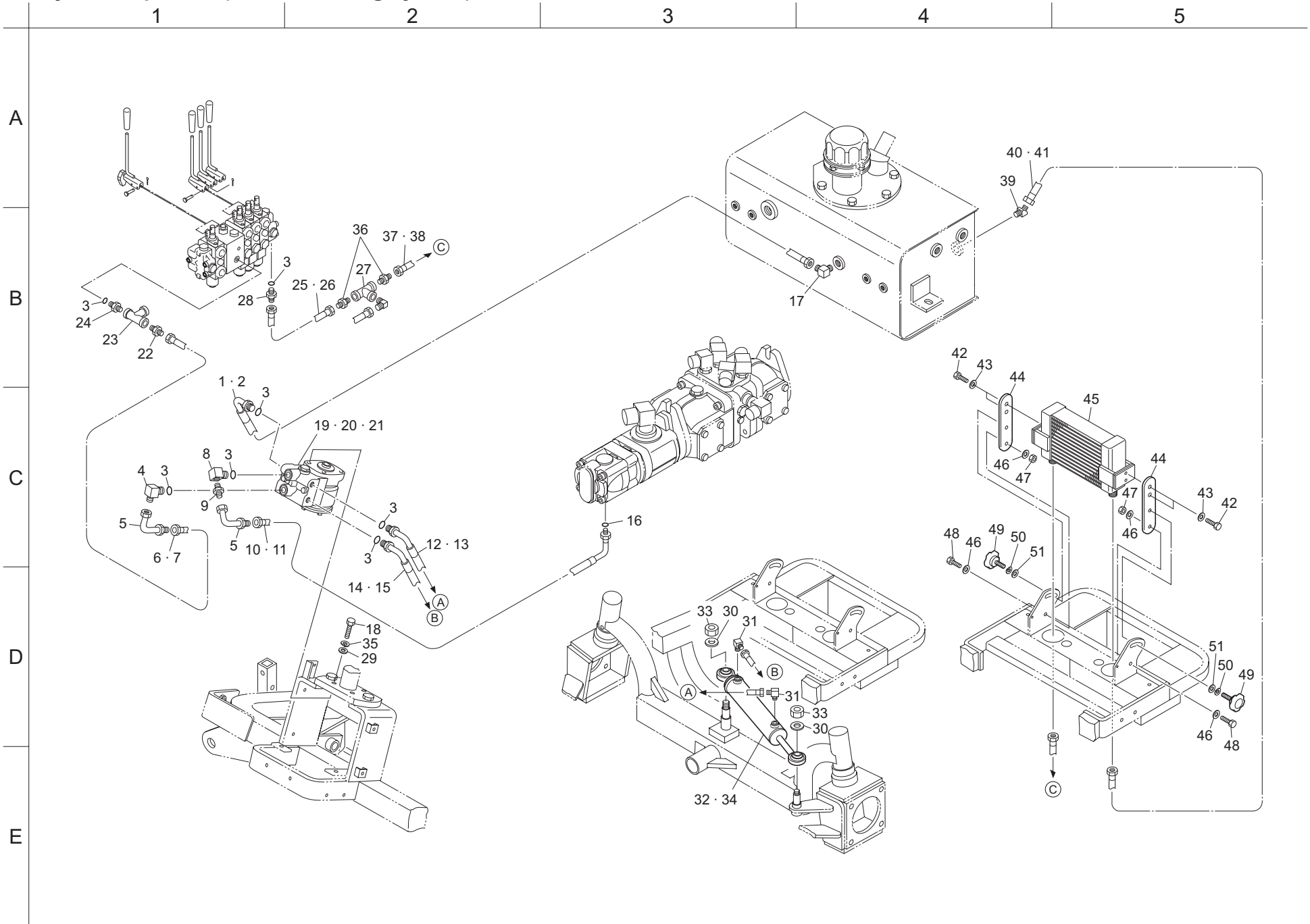


Cat No.	Code No.	Part Name	Qty	Remark
9-71	K3029000091-Y	different diameter nipple PT3/8PT1/2	1	
9-72	Y80103-1135-2	lever link	4	
9-73	Y80103-1141-2	pin $\phi 5 \times 21$	4	
9-74	K3023040001-Y	nipple NSPT1/4	1	
9-75	K3026004002-Y	screwed type cross SXA02	1	
9-76	K0000060102	6 bolt 10	2	

Cat No.	Code No.	Part Name	Qty	Remark

10. Hydraulic parts A (Power steering system)

LM285



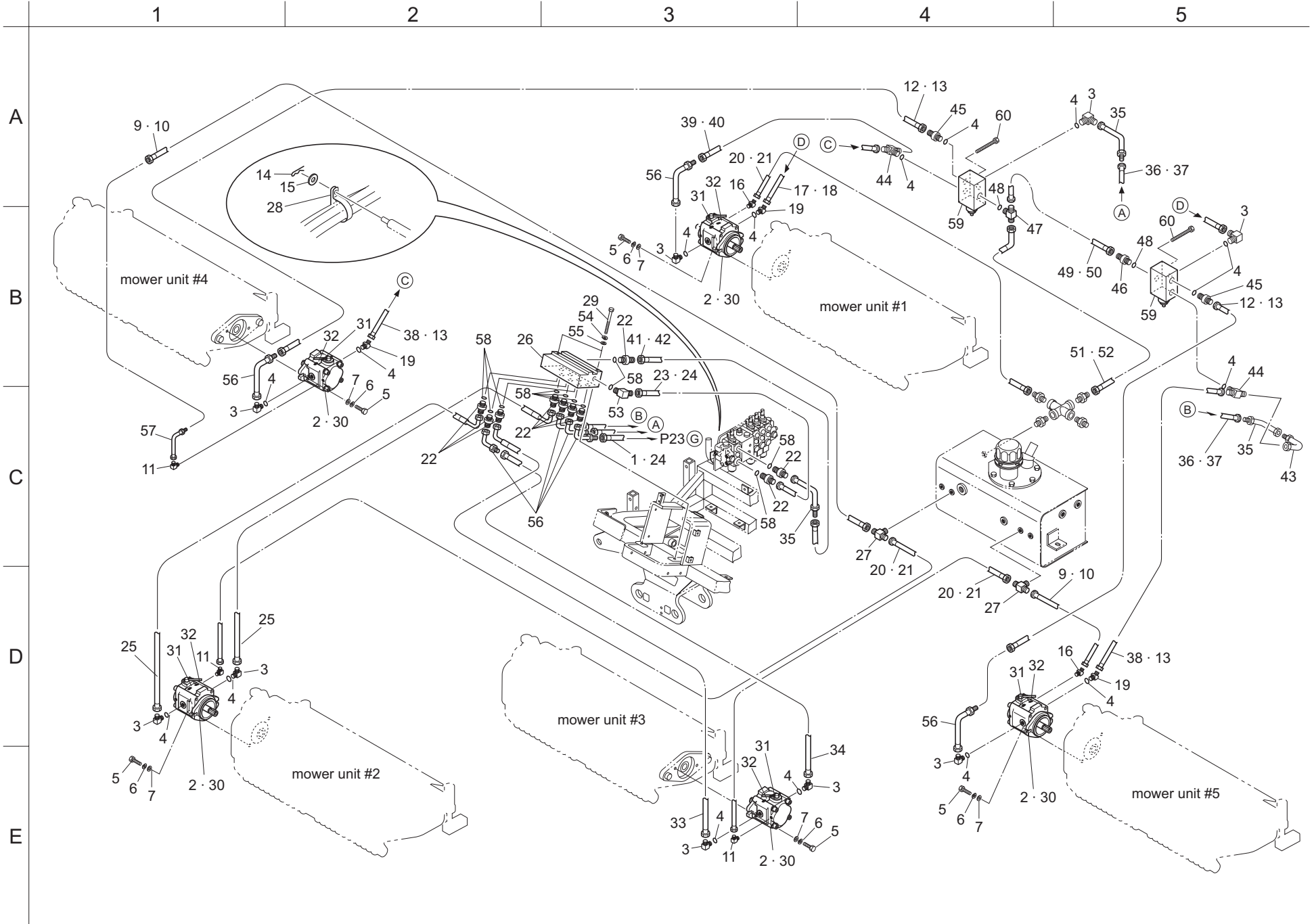
Cat No.	Code No.	Part Name	Qty	Remark
10-1	K3145000290	SSC35 hose 560	1	
10-2	K3190004450	SP-12 coil tube 445	1	
10-3	K0881014000	O-ring P14B	7	
10-4	K3008000192-Y	90 different diameter elbow PF1/2PF3/8	1	
10-5	K3025069082-Y	pipe adaptor 069-08	2	
10-6	K3104421100	WP175-12 hose 2-1100	1	
10-7	K3191009500	SP-15 coil tube 950	1	
10-8	K3008000072-Y	90 adjuster elbow 1125-9	1	
10-9	K3009000192-Y	special adaptor PT3/8PF1/2	1	
10-10	K3145000910	SSC140 hose 850	1	
10-11	K3191007000	SP-15 coil tube 700	1	
10-12	K3145000120	SSC70 hose 1910	1	
10-13	K3190018050	SP-12 coil tube 1805	1	
10-14	K3145000130	SSC70 hose 1960	1	
10-15	K3190018550	SP-12 coil tube 1855	1	
10-16	K0881018000	O-ring P18B	1	
10-17	K3006000022-Y	different diameter elbow PT1/2PF3/8	1	
10-18	K0000100302	10 bolt 30	4	
10-19	K3294000060	orbit roll UBS070A08GCD	1	
10-20	YBA0274A	orbit roll UBS070A08GCD seal kit	1	
10-21	YBA0056A	orbit roll UBS070A08GCD valve seal kit	1	
10-22	K3009000192-Y	special adaptor PT3/8PF1/2	1	
10-23	K3021060002-Y	screwed type tee TEFPT3/8	1	
10-24	K3009000052-Y	special adaptor PT3/8PF3/8	1	
10-25	K3100430300	WP35-12 hose 3-300	1	
10-26	K3191001500	SP-15 coil tube 150	1	
10-27	K3021080002-Y	screwed type tee TEFPT1/2	2	
10-28	K3009000172-Y	special adaptor PF3/8PF1/2	1	
10-29	K5000100002	10 washer	4	
10-30	K0215140001	14 metal washer with conical disk spring 2H	2	
10-31	K3001060002-Y	90 elbow 1033-6	2	
10-32	K3214000010	35-164 cylinder 374A	1	
10-33	K0145140002	14U nut P1.5	2	
10-34	YDW46D0190-1	seal Ass'y	1	
10-35	K0200100002	10S washer	4	

Cat No.	Code No.	Part Name	Qty	Remark
10-36	K3000120002-Y	adaptor 1013-12	2	
10-37	K3100411000	WP35-12 hose 1-1000	1	
10-38	K3191008500	SP-15 coil tube 850	1	
10-39	K3003120002-Y	45 elbow 1035-12	1	
10-40	K3100411900	WP35-12 hose 1-1900	1	
10-41	K3191017500	SP-15 coil tube 1750	1	
10-42	K0000080202	8 bolt 20	4	
10-43	K0200080002	8S washer	4	
10-44	LM285--0642ZD	oil cooler stopper	2	
10-45	K3431000030	oil cooler	1	
10-46	K5000080002	8 washer	4	
10-47	K0144080002	8U nut	2	
10-48	K0000080252	8 bolt 25	2	
10-49	K1320000220	knob with M8 4220	2	
10-50	K0213080002	8 metal washer with conical disk spring 1H	2	
10-51	K5073208202	3.2SPHC metal washer 820	2	

LM285

11. Hydraulic parts B (Reel motor system type R)

LM285

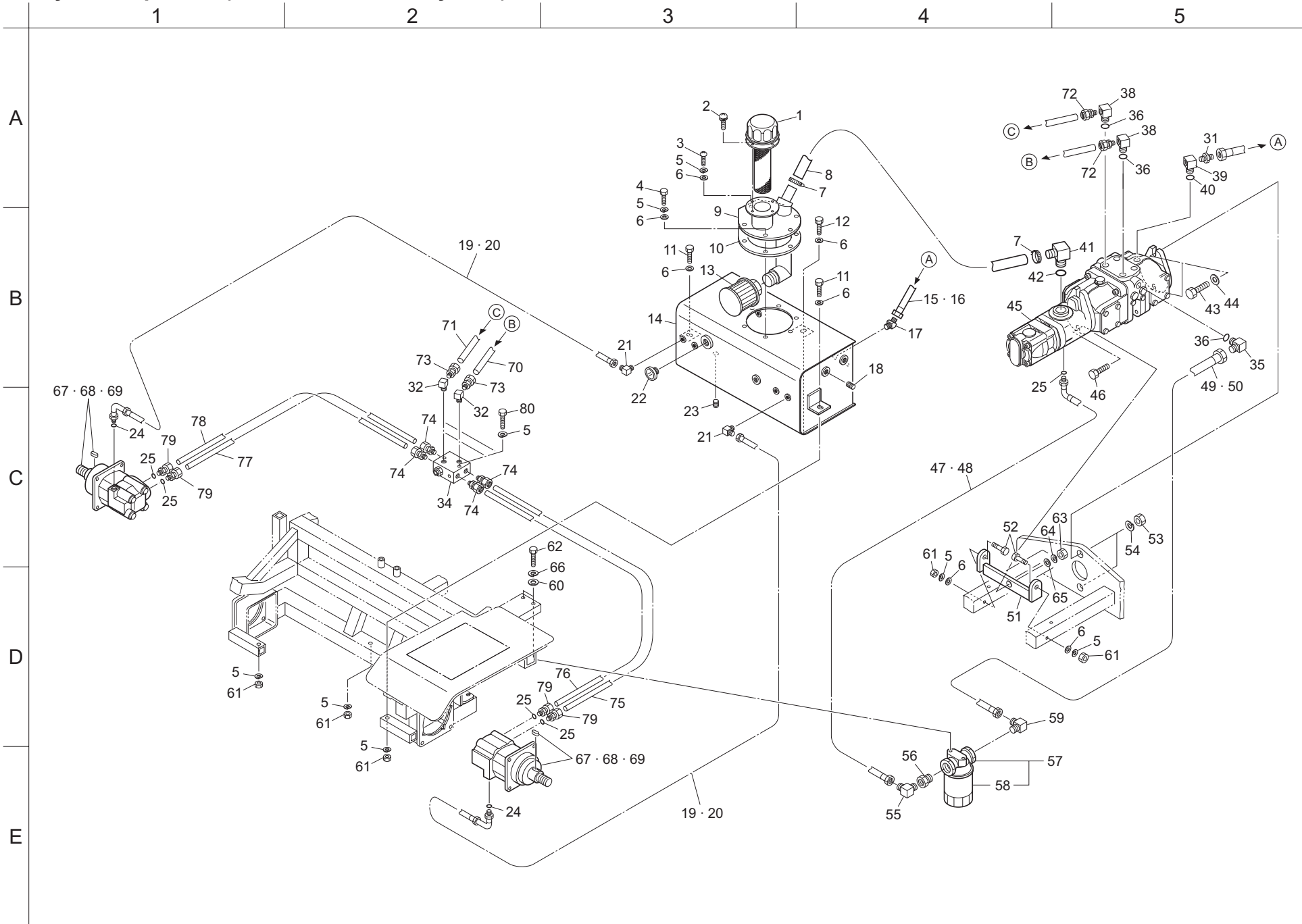


Cat No.	Code No.	Part Name	Qty	Remark
11-1	K3100410950	WP35-12 hose 1-950	1	
11-2	K3280000230	gear motor MB4AK379	5	
11-3	K3008000042-Y	90 adjuster elbow 1086-12	9	
11-4	K0881018000	O-ring P18B	16	
11-5	K0000100252	10 bolt 25	10	
11-6	K0200100002	10S washer	10	
11-7	K5000100002	10 washer	10	
11-8				
11-9	K3101211900	WP70-6 hose 1-1900	2	
11-10	K3190017500	SP-12 coil tube 1750	2	
11-11	K3001060002-Y	90 elbow 1033-6	3	
11-12	K3104410750	WP175-12 hose 1-750	2	
11-13	K3191006000	SP-15 coil tube 600	4	
11-14	K0330800008	8 snap pin	1	
11-15	K5000080002	8 washer	1	
11-16	K3003060002-Y	45 elbow 1035-6	2	
11-17	K3104411050	WP175-12 hose 1-1050	1	
11-18	K3191009000	SP-15 coil tube 900	1	
11-19	K3008000182-Y	45 adjustable elbow	3	
11-20	K3101211600	WP70-6 hose 1-1600	3	
11-21	K3190014500	SP-12 coil tube 1450	3	
11-22	K3009000172-Y	special adaptor PF3/8PF1/2	10	
11-23	K3104410950	WP175-12 hose 1-950	1	
11-24	K3191008000	SP-15 coil tube 800	2	
11-25	LM285--0705Z0	WP175-12 hose 3-1200	2	
11-26	K3321000050	manifold with solenoid valve	1	
11-27	K3029000352-Y	special tee PT1/4PF1/4	3	
11-28	K4270050080	50 harness clip M8	1	
11-29	K0003080702	8 bolt 70	2	
11-30	YCG0038A	seal kit for MB gear motor 379	5	
11-31	K4203001300	reel rotation mark	5	
11-32	K4203001310	reel stop mark	5	
11-33	LM285--0707Z0	WP175-12 hose 3-1250	1	
11-34	LM285--0706Z0	WP175-12 hose 1-1200	1	
11-35	K3025064082-Y	pipe adaptor 064-08	3	

Cat No.	Code No.	Part Name	Qty	Remark
11-36	K3104411450	WP175-12 hose 1-1450	2	
11-37	K3191013000	SP-15 coil tube 1300	1	
11-38	K3104430750	WP175-12 hose 3-750	2	
11-39	K3104430700	WP175-12 hose 3-700	1	
11-40	K3191005500	SP-15 coil tube 550	1	
11-41	K3104410880	WP175-12 hose 1-880	1	
11-42	K3191007300	SP-15 coil tube 720	1	
11-43	K3025069082-Y	pipe adapter 069-08	1	
11-44	K3008000362-Y	O-ring boss tee 1087-12	2	
11-45	K3009000092-Y	special adapter PF1/2 PF1/2	2	
11-46	K3008000232-Y	O-ring connector PF1/4 PF1/4	1	
11-47	K3008000672-Y	O-ring boss tee 1087-6	1	
11-48	K0881011000	O-ring P11B	2	
11-49	K3100230280	WP35-6 hose 3-280	1	
11-50	K3190001700	SP-12 coil tube 170	1	
11-51	K3100230900	WP35-6 hose 3-900	1	
11-52	K3190007700	SP-12 coil tube 770	1	
11-53	K3008000192-Y	90 different diameter elbow PF1/2PF3/8	1	
11-54	K0200080002	8S washer	2	
11-55	K5000080002	8 washer	2	
11-56	K302506L082-Y	pipe adaptor 06L-08	7	
11-57	K302506L042-Y	pipe adaptor 06L-04	1	
11-58	K0881014000	O-ring P14	11	
11-59	K3390000030	selector valve V1249	2	
11-60	K0024080801	8 bolt with hex. hole 80	8	

12. Hydraulic parts C (Front wheel motor system)

LM285



Cat No.	Code No.	Part Name	Qty	Remark
12-1	K3400000030	refueling hole breather FAB-50	1	
12-2	K0044050102	5+ round head small screw 10SW	4	
12-3	K0056080200	8 stainless + truss small screw 20	1	
12-4	K0000080202	8 bolt 20	5	
12-5	K0200080002	8S washer	13	
12-6	K5000080002	8 washer	11	
12-7	K4260000200	jubilee band 2A	2	
12-8	LM318--0730Z0	WP35-32×500	1	
12-9	LM318--0705Z2-Y	hydraulic suction port	1	
12-10	LM318--0711Z0	packing	1	
12-11	K0000080552	8 bolt 55	2	
12-12	K0003080702	8 bolt 70	1	
12-13	K3413000020	suction filter SFT-08-150W	1	
12-14	LM318--0701BD-Y	hydraulic tank	1	
12-15	K3145000340	SSC35 hose 1000	1	
12-16	K3192008500	SP-20 coil tube 850	1	
12-17	K3003190002-Y	45 elbow 1035-19	1	
12-18	K1422108001-Y	taper plug with hex. hole 1pc 1/2	1	
12-19	K3145000270	SSC35 hose 250	2	
12-20	K3190001550	SP-12 coil tube 155	2	
12-21	K3001060002-Y	90 elbow 1033-6	2	
12-22	K1400000044-Y	PF3/4 oil filler plug M type	1	
12-23	K1422106001-Y	taper plug with hex. hole 1pc 3/8	1	
12-24	K0881011000	O-ring P11B	2	
12-25	K0881018000	O-ring P18B	5	
12-26				
12-27				
12-28				
12-29				
12-30				
12-31	K3007000012-Y	different diameter adaptor PT1/2PF3/4	1	
12-32	K3022080002-Y	female-male elbow STEPT1/2	2	
12-33				
12-34	K3321000020	manifold with pressure relief valve	1	
12-35	K3008000162-Y	UNF90 adjustable elbow	1	

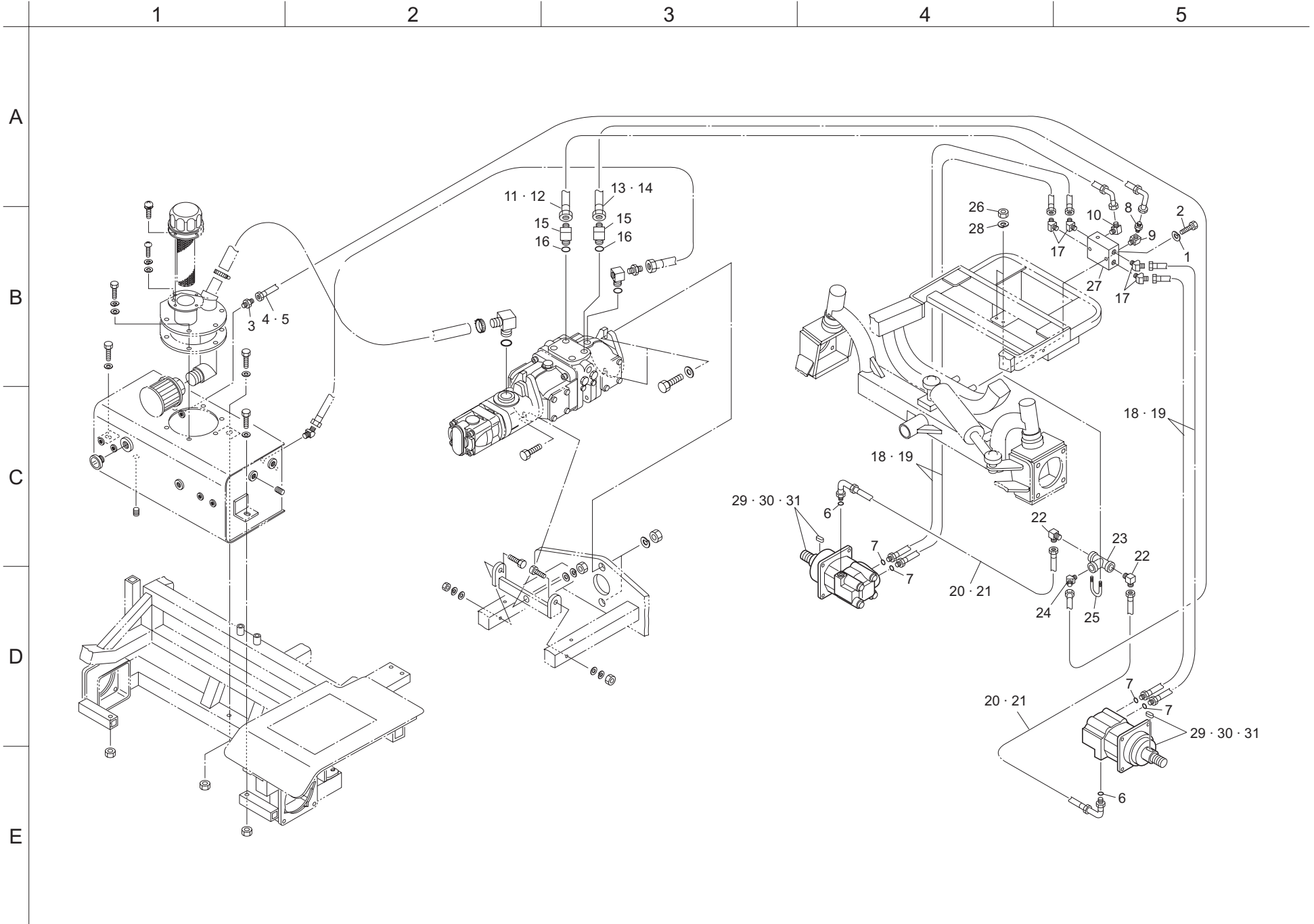
Cat No.	Code No.	Part Name	Qty	Remark
12-36	K0887009100	O-ring AS568-910	3	
12-37				
12-38	K3008000142-Y	90 adjustable elbow	2	
12-39	K3008000172-Y	UNF90 adjustable elbow	1	
12-40	K0887009080	O-ring AS568-908	1	
12-41	K3008000152-Y	90 elbow nipple	1	
12-42	K0881029000	O-ring P29B	1	
12-43	K0013140502	14 heat-treated bolt 50	2	
12-44	K5000140002	14 washer	2	
12-45	K3240000020	piston pump PV1616AR	1	
12-46	K0000120452	12 bolt 45	1	
12-47	K3145000610	SSC35 hose 710	1	
12-48	K3191006100	SP-15 coil tube 610	1	
12-49	K3145000600	SSC35 hose 660	1	
12-50	K3192005600	SP-20 coil tube 560	1	
12-51	LM318--0708ZD	pump support fitting	1	
12-52	K0003080602	8 bolt 60	2	
12-53	K0100140002	14 nut	2	
12-54	K0200140002	14S washer	2	
12-55	K3006000102-Y	different diameter elbow PT3/4PF1/2	1	
12-56	K3024000012-Y	cast iron bush 1×3/4	1	
12-57	K3412000030	filter SP08-10-03	1	
12-58	K3412000060	filter for the substitute C-SP08H-10	1	
12-59	K3006000112-Y	different diameter elbow PT1PF3/4	1	
12-60	K5000100002	10 washer	2	
12-61	K0100080002	8 nut	5	
12-62	K0000100302	10 bolt 30	2	
12-63	K0100120002	12 nut	1	
12-64	K0200120002	12S washer	1	
12-65	K5000120002	12 washer	1	
12-66	K0200100002	10S washer	2	
12-67	K3291000190	wheel motor 2-200BS4S	2	
12-68	Y61090S	2000 orbit motor seal kit (for rear)	2	
12-69	Y61091S	2000 orbit motor seal kit (for shaft)	2	
12-70	LM285--0785Z2-Y	pipe for pump A2	1	

Cat No.	Code No.	Part Name	Qty	Remark
12-71	LM285--0786Z2-Y	pipe for pump 132	1	
12-72	K3026622121-Y	connector KCT22-060E	2	
12-73	K3026622081-Y	connector KCT22-040E	2	
12-74	K3026615081-Y	connector KCT15-040E	4	
12-75	LM285--0781Z2-Y	pipe for left motor B	1	
12-76	LM285--0782Z2-Y	pipe for left motor A	1	
12-77	LM285--0784Z2-Y	pipe for right motor A	1	
12-78	LM285--0783Z2-Y	pipe for right motor B	1	
12-79	K3026315081-Y	connector KC015-040E	4	
12-80	K0003080552	8 bolt 55	2	

Cat No.	Code No.	Part Name	Qty	Remark

13. Hydraulic parts C (Rear wheel motor system)

LM285

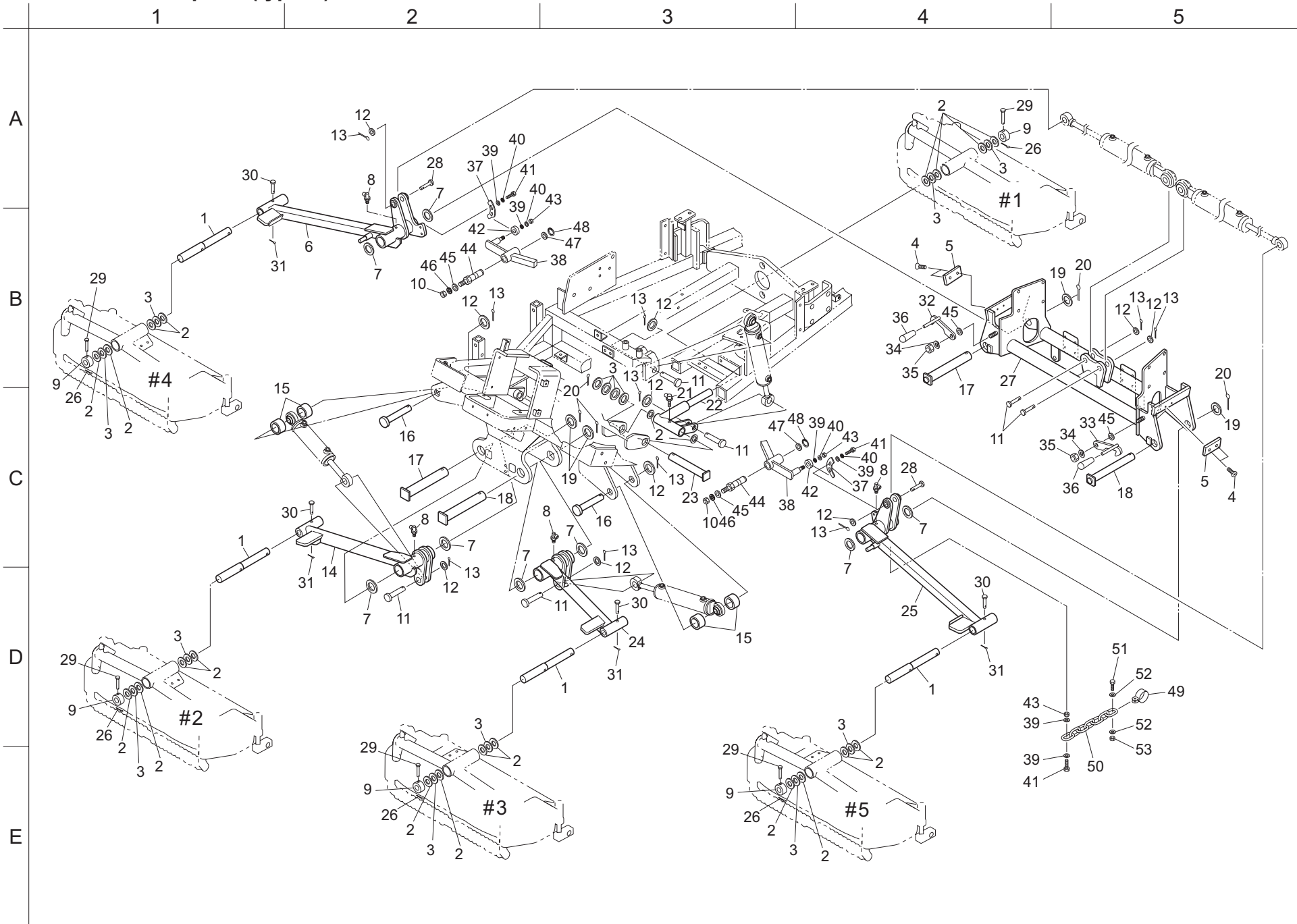


Cat No.	Code No.	Part Name	Qty	Remark
13-1	K0200080002	8S washer	2	
13-2	K0000080552	8 bolt 55	2	
13-3	K3007000022-Y	different diameter adaptor PT1/2PF3/8	1	
13-4	K3101311700	WP70-9 hose 1-1700	1	
13-5	K3190014900	SP-12 coil tube 1490	1	
13-6	K0881011000	O-ring P11B	2	
13-7	K0881018000	O-ring P18B	4	
13-8	K3007000012-Y	different diameter adaptor PT1/2PF3/4	1	
13-9	K3022080002-Y	female-male elbow STEPT1/2	1	
13-10	K3006000122-Y	different diameter elbow PT1/2PF3/4	1	
13-11	K3104531010	WP175-15 hose 3-1010	1	
13-12	K3192008150	SP-20 coil tube 815	1	
13-13	K3104531050	WP175-15 hose 3-1050	1	
13-14	K3192008950	SP-20 coil tube 895	1	
13-15	K3008000162-Y	UNF90 adjustable elbow	2	
13-16	K0887009100	O-ring AS568-910	2	
13-17	K3003120002-Y	45 elbow 1035-12	4	
13-18	K3145000410	IB175 hose 650	4	
13-19	K3191005150	SP-15 coil tube 515	4	
13-20	K3145000260	SSC35 hose 770	2	
13-21	K3190006750	SP-12 coil tube 675	2	
13-22	K3006000012-Y	different diameter elbow PT3/8PF1/4	2	
13-23	K3021060002-Y	screwed type tee TEFPT3/8	1	
13-24	K3003090002-Y	45 elbow 1035-9	1	
13-25	K0073000022	6U bolt 40	1	
13-26	K0100060002	6 nut	2	
13-27	K3321000020	manifold with pressure relief valve	1	
13-28	K0200060002	6S washer	2	
13-29	K3291000190	wheel motor 2-200BS4S	2	
13-30	Y61090S	2000 orbit motor seal kit (for rear)	2	
13-31	Y61091S	2000 orbit motor seal kit (for shaft)	2	

Cat No.	Code No.	Part Name	Qty	Remark

14. Mower lift arm parts (type R)

LM285

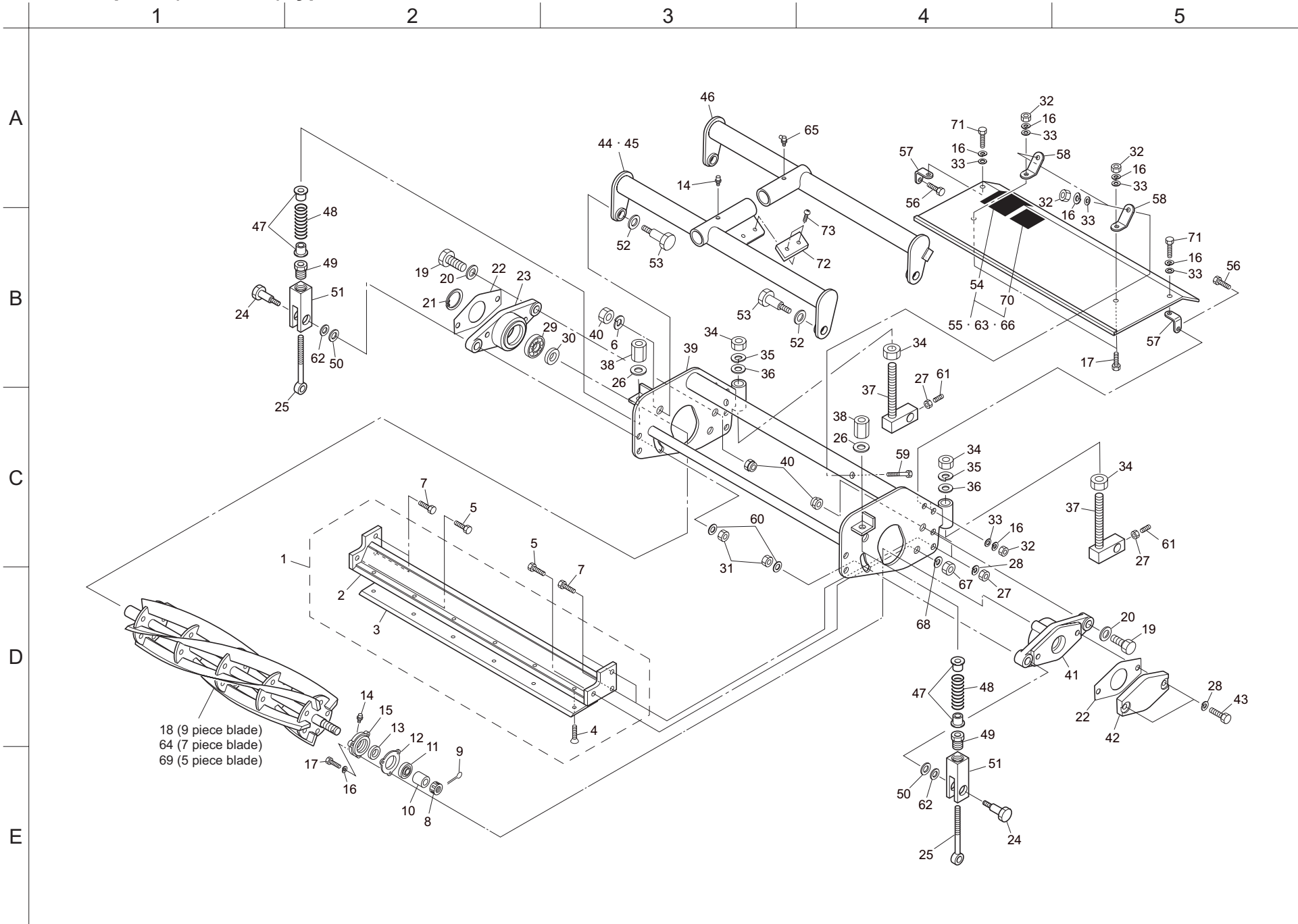


Cat No.	Code No.	Part Name	Qty	Remark
14-1	K6155000220	shaft	4	
14-2	K5051025370	1C5191P metal washer 25.437	22	
14-3	K5011025372	1SPCC metal washer 25.437	14	
14-4	K0041060152	6+ countersunk head screw 15	4	
14-5	K4033000380	stop rubber	2	
14-6	LM285--0203ZD	rear lift arm (R)	1	
14-7	K5051030420	1C5191P metal washer 3042	8	
14-8	K1440000030	B-shaped grease nipple	4	
14-9	K6215000142	26 collar with hole 3215	5	
14-10	K0103140002	14 nut P1.5	2	
14-11	K6030200572	20 flat-head pin 57	6	
14-12	K5012320402	2.3SPCC metal washer 2040	10	
14-13	K0300032402	3.2 split pin 40	10	
14-14	LM285--0205ZD	front lift arm (R)	1	
14-15	K6212000372	20.2STKM collar 25.414.5	4	
14-16	LM318--0209Z2	cylinder pin 84	2	
14-17	K7147000232	30 pin with hole 196	2	
14-18	LM318--0221Z2	front mower arm shaft (L)	2	
14-19	K5012330452	2.3SPCC metal washer 3045	4	
14-20	K0300040502	4 split pin 50	5	
14-21	K1440000020	C-shaped grease nipple	1	
14-22	LM318--0220AD	rear lift arm	1	
14-23	K7147000242	25.4 pin with hole 160	1	
14-24	LM285--0204ZD	front lift arm (L)	1	
14-25	LM285--0202ZD	rear lift arm (L)	1	
14-26	K0340800002	8 snap pin with stopper	5	
14-27	LM285--0201AD	arm frame	1	
14-28	K6030200802	20 flat-head pin 80	2	
14-29	K6040080402	8 round head pin 40	5	
14-30	K6041080488	8 hardened round head pin 48.5	4	
14-31	K0300032252	3.2 split pin 25	4	
14-32	LM526--0619AD	#5 lock lever	1	
14-33	LM526--0618AD	#4 lock lever	1	
14-34	K0210140002	14 conical disk spring L	2	
14-35	K0145140002	14U nut P1.5	2	

Cat No.	Code No.	Part Name	Qty	Remark
14-36	K1300000110	9 yellow grip 22	2	
14-37	LM285--0208Z2	cam	2	
14-38	LM285--0206ZD	unload lever	2	
14-39	K5000080002	8 washer	10	
14-40	K0200080002	8S washer	6	
14-41	K0000080252	8 bolt 25	6	
14-42	K0608006290	bearing 6292R5	2	
14-43	K0100080002	8 nut	4	
14-44	K6123000112	shaft with M14 95.5	2	
14-45	K5000140002	14 washer	4	
14-46	K0200140002	14S washer	2	
14-47	K5051016240	1C5191P metal washer 1624	2	
14-48	K0400012002	stop ring E12	2	
14-49	K4270035060	35 harness clip M6	2	
14-50	K4532000092	4.8 general service chain 7 link	2	
14-51	K0000060202	6 bolt 20	2	
14-52	K5012306162	2.3SPCC metal washer 616	4	
14-53	K0144060002	6U nut	2	

15. Mower parts (#1, #2, #5) type R

LM285



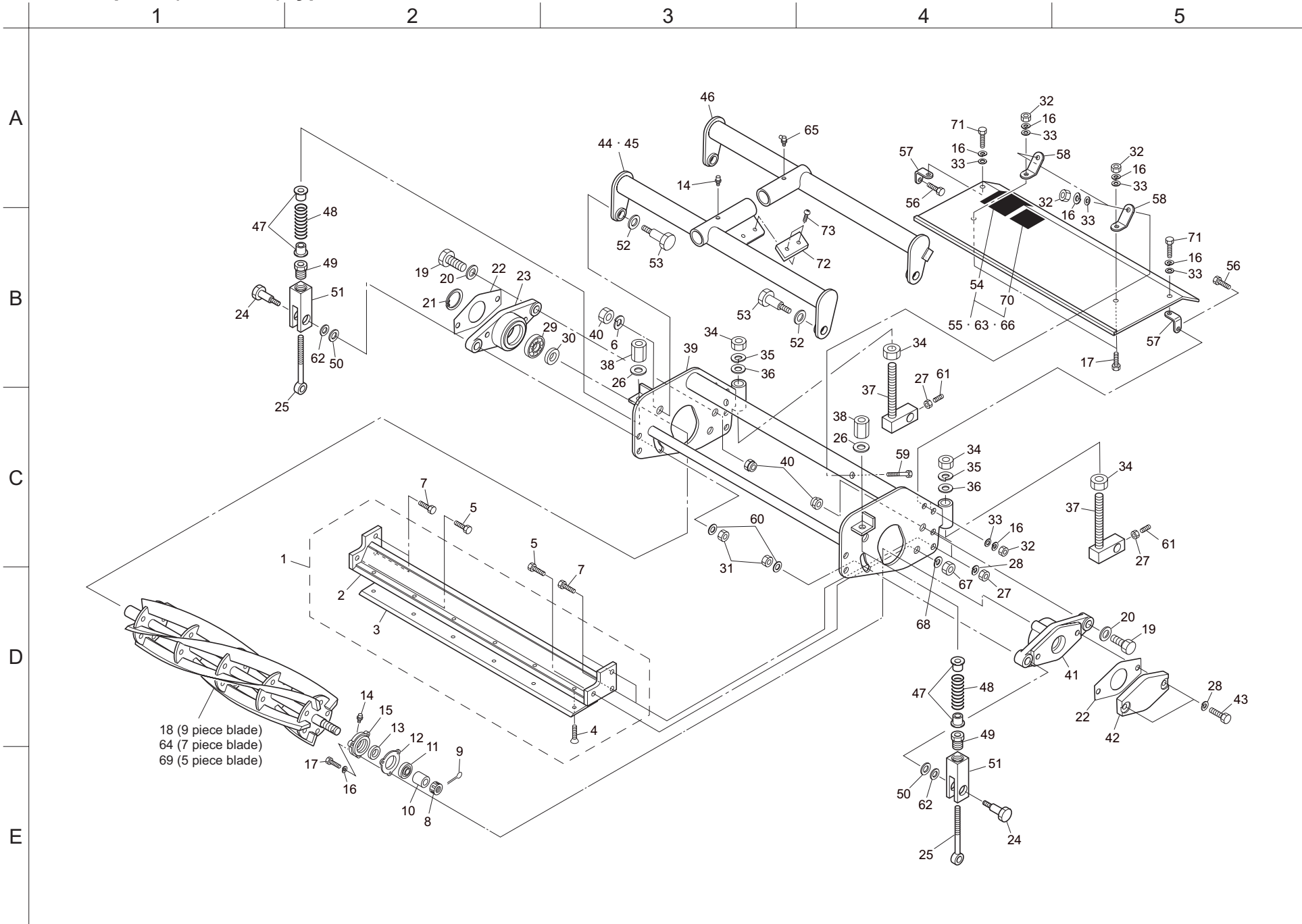
Cat No.	Code No.	Part Name	Qty	Remark
15-1	K8022000020	180 bed knife (R), (L) Ass'y	3	
15-2	K744200006R	bed knife mount base 732	3	
15-3	K2510000030	7 bed knife 85-662	3	
15-4	K0071000092	10 heat-treated countersunk head screw 20	18	
15-5	K0000120302	12 bolt 30	6	
15-6	K0200140002	14S washer	6	
15-7	K0000100252	10 bolt 25	12	
15-8	K0170000012	20 slotted special nut	3	
15-9	K0300032252	3.2 split pin 25	3	
15-10	K6212001742	20.2STKM collar 2818	3	
15-11	K0602063040	bearing 6304Z	3	
15-12	K4011000150	packing	3	
15-13	K0822542080	oil seal MHSA25428	3	
15-14	K1440000010	grease nipple	5	
15-15	K6903000042	housing cover	3	
15-16	K0200060002	6S washer	33	
15-17	K0000060152	6 bolt 15	15	
15-18	K285260R90R	reel cutter 660-9R	3	
15-19	K0071001132	support shaft bolt	6	
15-20	K5012314252	2.3SPCC metal washer 1425	6	
15-21	K0402072001	stop ring R72	3	
15-22	K4011000290	packing	6	
15-23	K6903000202	hydraulic motor housing B	3	
15-24	K6082000122	housing bolt	6	
15-25	K7303000182	cutter adjusting bolt	6	
15-26	K5051010160	1C5191P metal washer 1016	6	
15-27	K0100100002	10 nut	18	
15-28	K0200100002	10S washer	18	
15-29	K0602062070	bearing 6207Z	3	
15-30	K0823560120	oil seal MHSA356012	3	
15-31	K0145100002	10U nut P1.25	6	
15-32	K0100060002	6 nut	18	
15-33	K5000060002	6 washer	24	
15-34	K0108180002	18 nut 3P1.5	12	
15-35	K0200180002	18S washer	6	

Cat No.	Code No.	Part Name	Qty	Remark
15-36	K5012018282	2SPCC metal washer 1828	6	
15-37	LM526A-0108Z2	cutting height adjusting screw	6	
15-38	K0160000032	10 receiving blade adjusting nut P1	6	
15-39	K705200006R	mower frame	3	
15-40	K0105140002	14 nut 3P1.5	12	
15-41	K6903000212	reel housing	3	
15-42	K690300017D	reel housing cover	3	
15-43	K0000100452	10 bolt 45	6	
15-44	LM285--0102ZR	#2, 4 mower arm	1	for mower unit #2
15-45	LM285--0101ZR	#3, 5 mower arm	1	for mower unit #5
15-46	LM282--0158ZR	rear mower frame	1	
15-47	K6206000052	spring receiver	12	
15-48	K1000000458	5 compression spring 2560	6	
15-49	K6081000082	pipe with cutter adjusting screw	6	
15-50	K5012310172	2.3SPCC metal washer 1017	6	
15-51	K6090000552	adjusting screw mount base	6	
15-52	K5011020282	1SPCC metal washer 2028	6	
15-53	K6082000132	frame bolt	6	
15-54	K4205001600	caution label (cutting)	3	
15-55	K9010000110	reel cover (L) with mark	1	for mower unit #2
15-56	K0000060202	6 bolt 20	6	
15-57	K5206000522	cover mount plate	6	
15-58	K527600041R	cover mount plate	6	
15-59	K0003060502	6 bolt 50	6	
15-60	K5073210242	3.2SPCC metal washer 1024	6	
15-61	K0023100251	10 hollow set screw 25	6	
15-62	K0214100002	10 metal washer with conical disk spring 2L	6	
15-63	LM282--0140A0	reel cover rear with mark	1	for mower unit #1
15-64	K285260R70R	reel cutter 660-7R	3	
15-65	K1440000020	C-shaped grease nipple	1	
15-66	K9010000120	reel cover right with mark	1	for mower unit #5
15-67	K0100120002	12 nut	6	
15-68	K0200120002	12S washer	6	
15-69	K285260R50R	reel cutter 660-5R	3	
15-70	K4205001650	caution label (flying objects)	3	

LM285

15. Mower parts (#1, #2, #5) type R

LM285

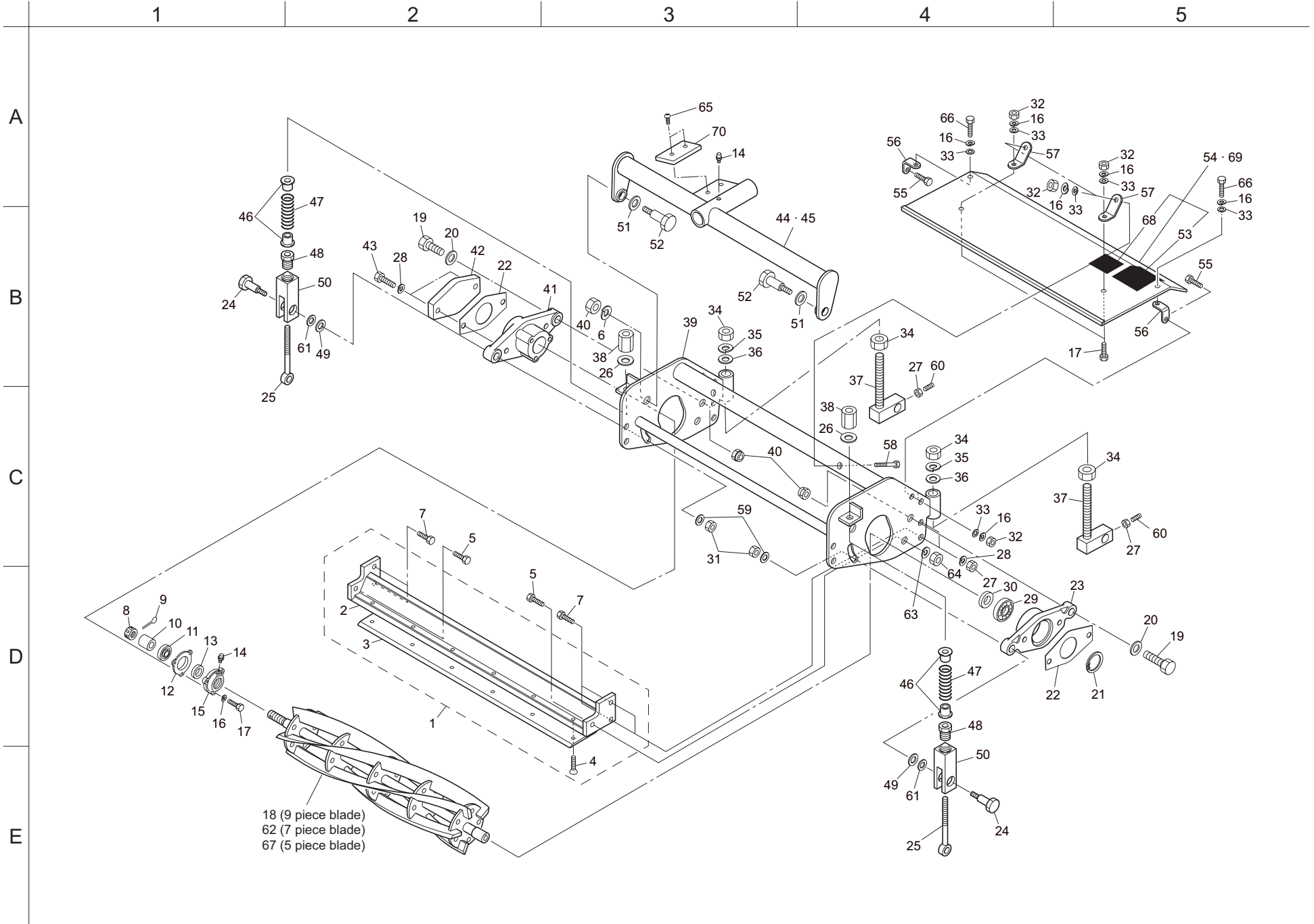


Cat No.	Code No.	Part Name	Qty	Remark
15-71	K0000060102	6 bolt 10	6	
15-72	K4033000380	stop rubber	2	
15-73	K0041060152	6+ round head small screw 15	4	

Cat No.	Code No.	Part Name	Qty	Remark

16. Mower parts (#3, #4) type R

LM285

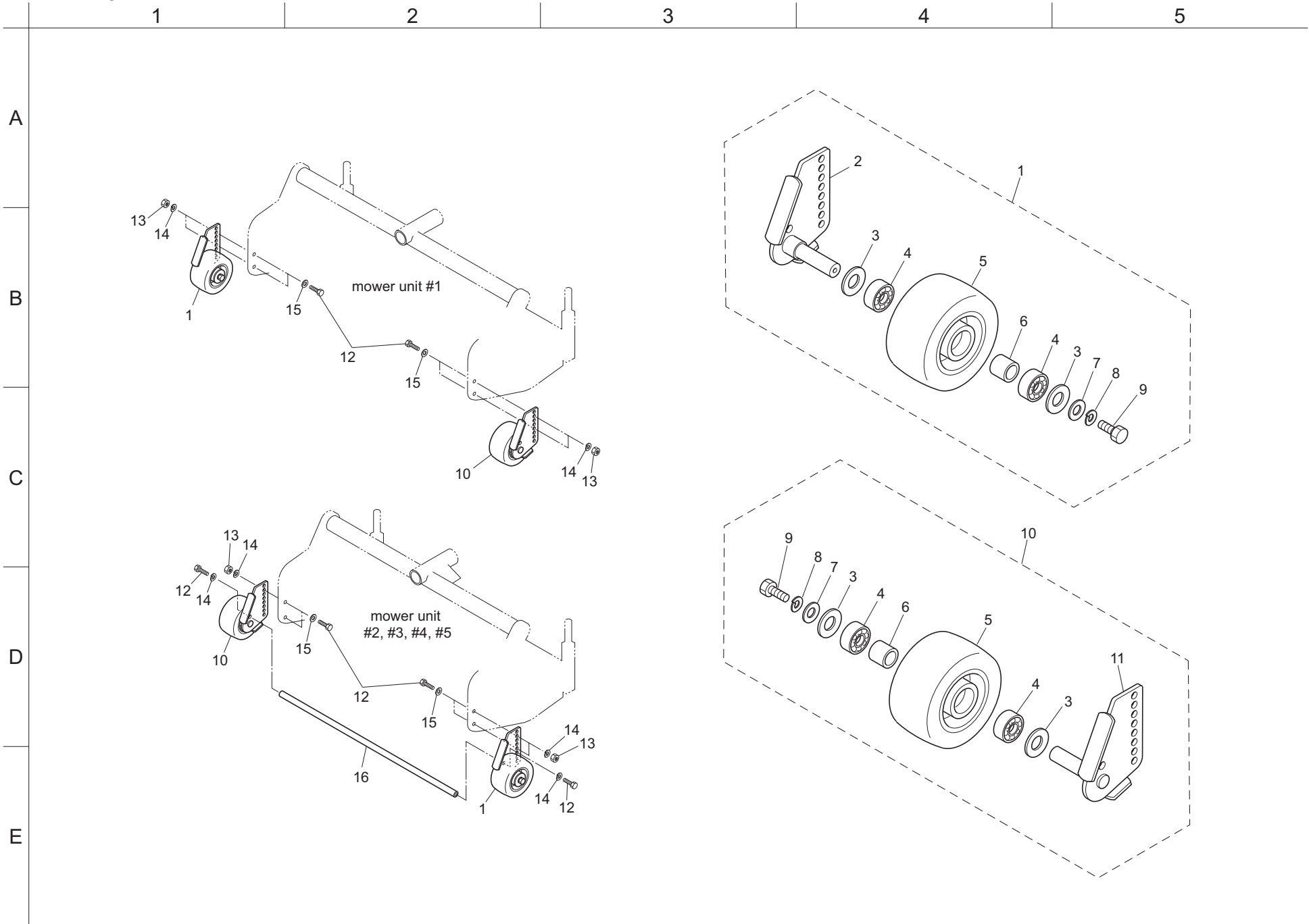


Cat No.	Code No.	Part Name	Qty	Remark
16-1	K8022000020	180 bed knife (R), (L) Ass'y	2	
16-2	K744200006R	bed knife mount base 732	2	
16-3	K2510000030	7 bed knife 85-662	2	
16-4	K0071000092	10 heat-treated countersunk head screw 20	12	
16-5	K0000120302	12 bolt 30	4	
16-6	K0200140002	14S washer	4	
16-7	K0000100252	10 bolt 25	8	
16-8	K0170000012	20 slotted special nut	2	
16-9	K0300032252	3.2 split pin 25	2	
16-10	K6212001742	20.2STKM collar 2818	2	
16-11	K0602063040	bearing 6304Z	2	
16-12	K4011000150	packing	2	
16-13	K0822542080	oil seal MHSA25428	2	
16-14	K1440000010	grease nipple	4	
16-15	K6903000042	housing cover	2	
16-16	K0200060002	6S washer	22	
16-17	K0000060152	6 bolt 15	10	
16-18	K285260L90R	reel cutter 660-9L	2	
16-19	K0071001132	support shaft bolt	4	
16-20	K5012314252	2.3SPCC metal washer 1425	4	
16-21	K0402072001	stop ring R72	2	
16-22	K4011000290	packing	4	
16-23	K6903000192	hydraulic motor housing A	2	
16-24	K6082000122	housing bolt	4	
16-25	K7303000182	cutter adjusting bolt	4	
16-26	K5051010160	1C5191P metal washer 1016	4	
16-27	K0100100002	10 nut	12	
16-28	K0200100002	10S washer	12	
16-29	K0602062070	bearing 6207Z	2	
16-30	K0823560120	oil seal MHSA356012	2	
16-31	K0145100002	10U nut P1.25	4	
16-32	K0100060002	6 nut	12	
16-33	K5000060002	6 washer	16	
16-34	K0108180002	18 nut 3P1.5	8	
16-35	K0200180002	18S washer	4	

Cat No.	Code No.	Part Name	Qty	Remark
16-36	K5012018282	2SPCC metal washer 1828	4	
16-37	LM526A-0108Z2	cutting height adjusting screw	4	
16-38	K0160000032	10 receiving blade adjusting nut P1	4	
16-39	K705200006R	mower frame	2	
16-40	K0105140002	14 nut 3P1.5	8	
16-41	K6903000212	reel housing	2	
16-42	K690300017D	reel housing cover	2	
16-43	K0000100452	10 bolt 45	4	
16-44	LM285--0102ZR	#2, 4 mower arm	1	for mower unit #4
16-45	LM285--0101ZR	#3, 5 mower arm	1	for mower unit #3
16-46	K6206000052	spring receiver	8	
16-47	K1000000458	5 compression spring 2560	4	
16-48	K6081000082	pipe with cutter adjusting screw	4	
16-49	K5012310172	2.3SPCC metal washer 1017	4	
16-50	K6090000552	adjusting screw mount base	4	
16-51	K5011020282	1SPCC metal washer 2028	4	
16-52	K6082000132	frame bolt	4	
16-53	K4205001600	caution label (cutting)	2	
16-54	K9010000120	reel cover (R) with mark	1	for mower unit #3
16-55	K0000060202	6 bolt 20	4	
16-56	K5206000522	cover mount plate	4	
16-57	K527600041R	cover mount plate	4	
16-58	K0003060502	6 bolt 50	4	
16-59	K5073210242	3.2SPCC metal washer 1024	4	
16-60	K0023100251	10 hollow set screw 25	4	
16-61	K0214100002	10 metal washer with conical disk spring 2L	4	
16-62	K285260L70R	reel cutter 660-7L	2	
16-63	K0200120002	12S washer	4	
16-64	K0100120002	12 nut	4	
16-65	K0041060152	6+ round head small screw 15	4	
16-66	K0000060102	6 bolt 10	4	
16-67	K285260L50R	reel cutter 660-5L	2	
16-68	K4205001650	caution label (flying objects)	2	
16-69	K9010000110	reel cover (L) with mark	1	for mower unit #4
16-70	K4033000380	stop rubber	2	

17. Wheel parts

LM285

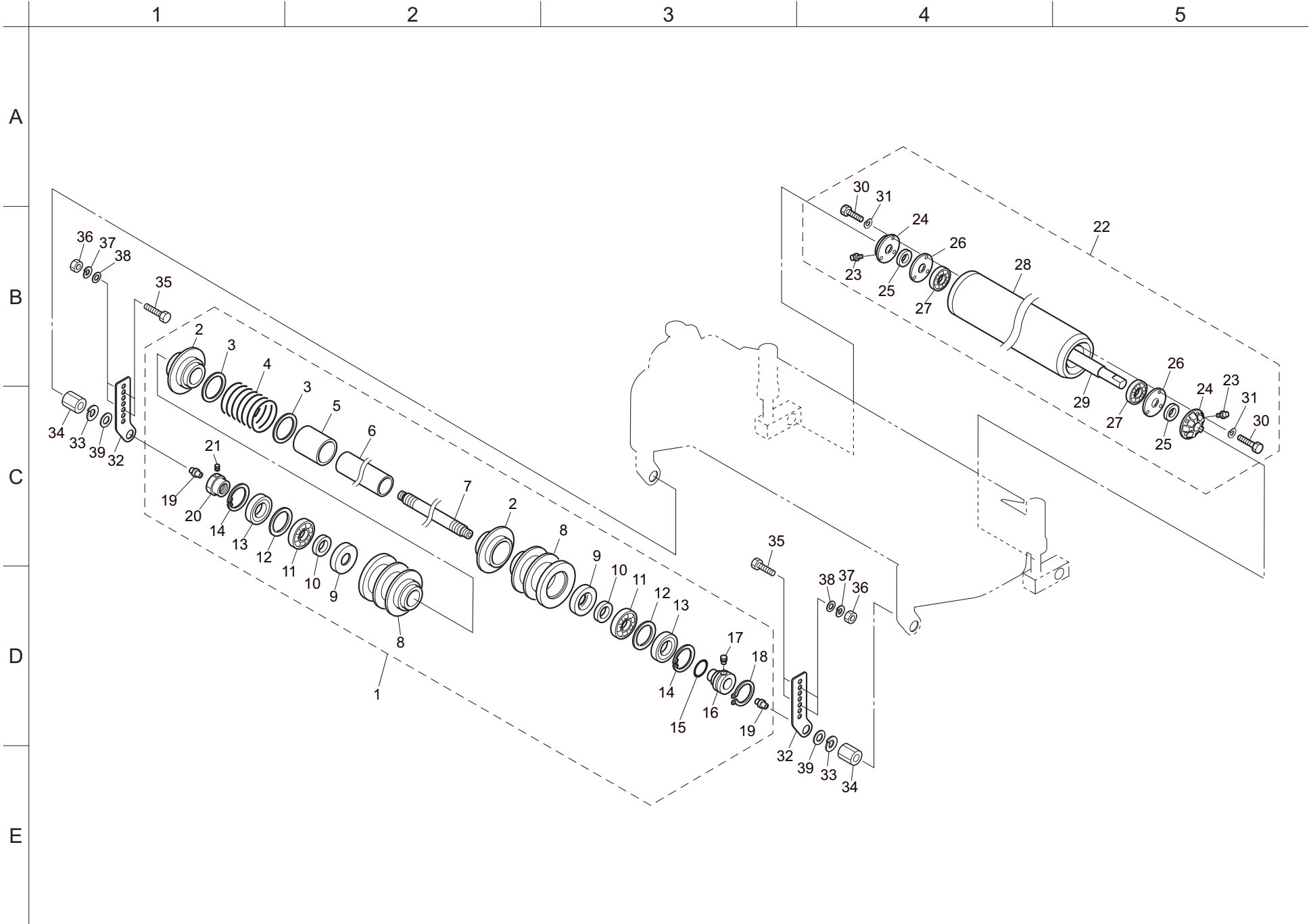


Cat No.	Code No.	Part Name	Qty	Remark
17-1	LM526R-0125Z0	front wheel (L) Ass'y	1	
17-2	LM526R-0108Z2	front roller bracket (L)	1	
17-3	K5030520430	0.5C2801P metal washer 2043	4	
17-4	K0612062040	bearing 62042RD	4	
17-5	K2110000030	rubber wheel 150	2	
17-6	K6212000640	20.2STKM collar 25.433	2	
17-7	K6204000212	wheel clamping washer	2	
17-8	K0200080002	8S washer	2	
17-9	K0000080202	8 bolt 20	2	
17-10	LM526R-0126Z0	front wheel (R) Ass'y	1	
17-11	LM526R-0109Z2	front roller bracket (R)	1	
17-12	K0000100252	10 bolt 25	6	
17-13	K0100100002	10 nut	4	
17-14	K0200100002	10S washer	6	
17-15	K5000100002	10 washer	4	
17-16	LM526R-0110Z2	stay pipe	1	

Cat No.	Code No.	Part Name	Qty	Remark

18. Roller Ass'y parts

LM285



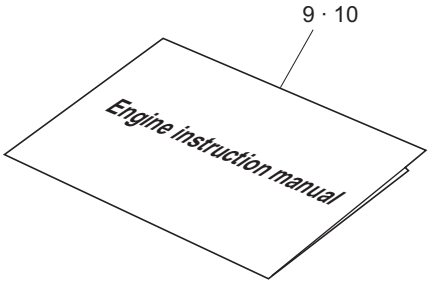
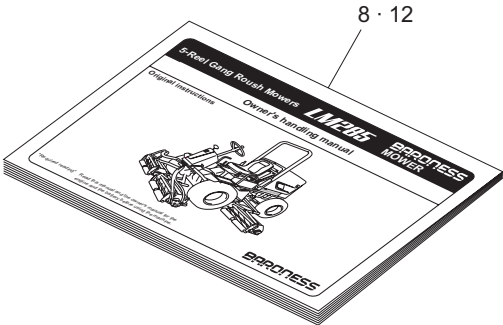
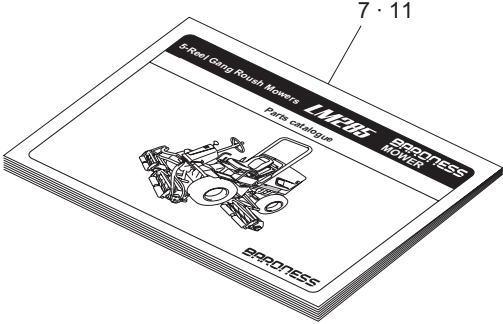
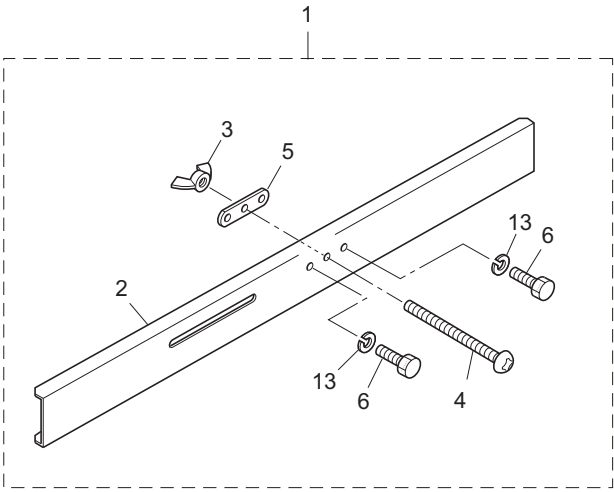
Cat No.	Code No.	Part Name	Qty	Remark
18-1	K8021000420	slotted roller Ass'y	1	
18-2	K5920000060	80 roller	18	
18-3	K5051035470	1C5191P metal washer 3547	2	
18-4	K100000073D	5 compression spring 5175	1	
18-5	K6212001612	35STKM collar 4049	1	
18-6	K6226000082	28 roller pipe 34578	1	
18-7	K6121000340	roller shaft 762	1	
18-8	K620200046D	slotted roller housing 77	2	
18-9	K6803000030	seal housing	2	
18-10	K0822035080	oil seal MHSA20358	2	
18-11	K0631302040	taper roller 30204JRP6	2	
18-12	K6212001192	42STKM collar 473.25	2	
18-13	K0822547080	oil seal MHSA25478	2	
18-14	K0402047001	stop ring R47	2	
18-15	K0880020000	O-ring P20	1	
18-16	K6219000210	17 collar 3628.25	1	
18-17	K0071000778	drum collar stopper	1	
18-18	K0401036001	stop ring S36	1	
18-19	K1440000050	M8 grease nipple	2	
18-20	K0160000550	20 nut 27	1	
18-21	K0023060081	6 hollow set screw 8	1	
18-22	K8021000430	roller Ass'y 764	1	
18-23	K1440000010	grease nipple	2	
18-24	K6810000070	seal housing	2	
18-25	K0821730080	oil seal MHSA17308	2	
18-26	K4015136650	1 fiber 3665	2	
18-27	K0602062030	bearing 6203Z	2	
18-28	K740000016D	76.2 roller 674	1	
18-29	K6155000190	roller shaft 764	1	
18-30	K0000060122	6 bolt 12	6	
18-31	K0200060002	6S washer	6	
18-32	K5131001882	roller bracket	2	
18-33	K0200140002	14S washer	2	
18-34	K0160000532	14 high nut 20	2	
18-35	K0000100252	10 bolt 25	4	

Cat No.	Code No.	Part Name	Qty	Remark
18-36	K0100100002	10 nut	4	
18-37	K0200100002	10S washer	4	
18-38	K5000100002	10 washer	4	
18-39	K5073214252	3.2SPHC metal washer 1425	2	

19. Accessory parts

LM285

	1	2	3	4	5
A					
B					
C					
D					
E					



1: Trimmer head assembly

2: Trimmer head housing

3: Trimmer head cap

4: Trimmer head screw

5: Trimmer head pin

6: Trimmer head nut

13: Trimmer head washer

7 · 11: Parts catalogue

8 · 12: Operator's handling manual

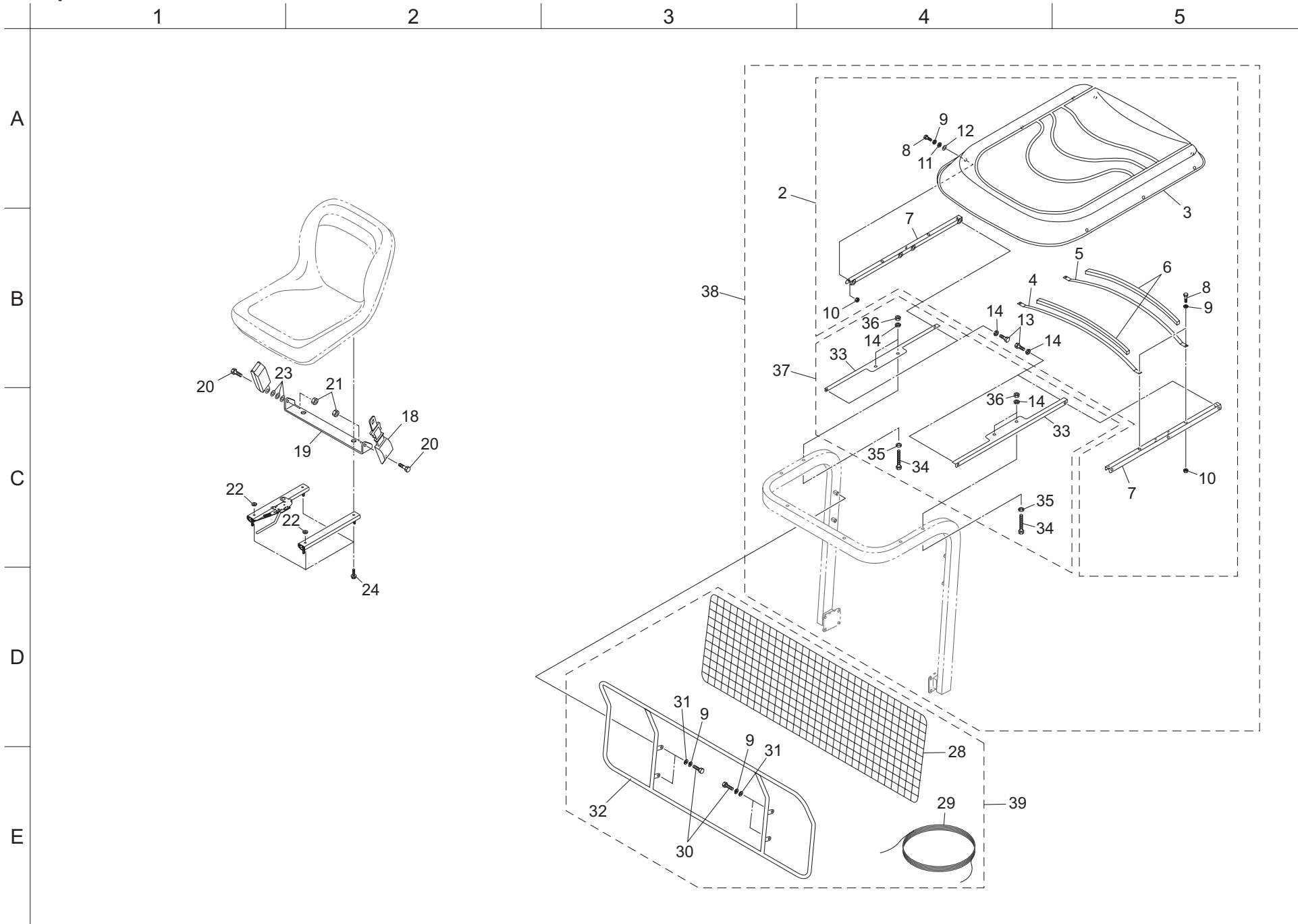
9 · 10: Engine instruction manual

Cat No.	Code No.	Part Name	Qty	Remark
19-1	K4825000060	cutting height gauge 600 Ass'y	1	
19-2	K482500003D	cutting height gauge 600	1	
19-3	K0141060002	6 wing nut 3	1	
19-4	K0071000522	6 cutting height screw 75	1	
19-5	K4825000042	screw mount plate	1	
19-6	K0021060102	6 bolt with flange 10	2	
19-7	750101-64-B	LM285 Parts Catalogue	1	
19-8	750101-64-A	LM285 owner's handling manual	1	
19-9	PF1J987-8916-2	engine instruction manual (English)	1	
19-10	PF1G398-8911-3	engine instruction manual (Japanese)	1	
19-11	750101-67-B	LM285 Parts Catalogue (Japanese)	1	
19-12	750101-67-A	LM285 owner's handling manual (Japanese)	1	
19-13	K0200060002	6S washer	2	

Cat No.	Code No.	Part Name	Qty	Remark

20. Option

LM285



Cat No.	Code No.	Part Name	Qty	Remark
20-1				
20-2	K9120000030	roof Ass'y	1	
20-3	K1900000080	roof	1	
20-4	K190000010D	arch B	1	
20-5	K190000009D	arch A	1	
20-6	K1900000120	20 urethane sponge 20840	2	
20-7	K190000011D	hood support	2	
20-8	K0000080202	8 bolt 20	10	
20-9	K0200080002	8S washer	14	
20-10	K0100080002	8 nut	10	
20-11	K5012308322	2.3SPCC metal washer 832	6	
20-12	K1900000130	rubber for roof	6	
20-13	K0000100202	10 bolt 20	4	
20-14	K0200100002	10S washer	8	
20-15				
20-16				
20-17				
20-18	K1701000100	seatbelt	1	
20-19	K1701000110	XB-180 seatbelt bracket	1	
20-20	K0011120252	12 heat-treated bolt 25P1.5	2	
20-21	K0145120002	12U nut P1.5	2	
20-22	K5074510262	4.5SPHC metal washer 1026	2	
20-23	K5012013322	2SPCC metal washer 12.832	3	
20-24	K0021080302	8 bolt with flange 30	4	
20-25				
20-26				
20-27				
20-28	K4130000010	ball-proof net 500×1375	1	
20-29	K4140000010	PE string 400/24 pcs 6	2	
20-30	K0000080152	8 bolt 15	4	
20-31	K5000080002	8 washer	4	
20-32	K789900120D	ball-proof net mount fitting	1	
20-33	K520500040D	roof flame	2	
20-34	K0000101002	10 bolt 100	4	
20-35	K5000100002	10 washer	4	

Cat No.	Code No.	Part Name	Qty	Remark
20-36	K0100100002	10 nut	4	
20-37	K9120000050	roof flame Ass'y	1	
20-38	K9120000060	roof Ass'y with flame	1	
20-39	LM285--1705Z0	ball-proof net Ass'y	1	



BARONESS[®]
Quality on Demand

Postadress:

TRÄDGÅRDSTEKNIK AB
Helsingborgsvägen 578, Varalöv
262 96 ÄNGELHOLM

Telefon : 0431-222 90
Bg.nr : 5743-7980
Org.nr : 556409-6120

URL:

www.tradgardsteknik.se
E-postadress:
info@tradgardsteknik.se