

Air consumption cylinders/machines

Air consum. cylinders measured at 3.000 strokes p/h at 6 atm. (90psi)

Length Cylinder	Diameter 12	Diameter 20	Diameter 32	Diameter 40
300mm			156 NL/minute	243 NL/minute
250mm			130 NL/minute	202,5 NL/minute
200mm			104 NL/minute	
150mm			78 NL/minute	
100mm		20,5 NL/minute	52 NL/minute	
70mm		14,35 NL/minute		
50mm		10,25 NL/minute		
20mm	1,38 NL/minute	4,1 NL/minute		
16mm	1,1 NL/minute	3,3 NL/minute		
12mm	0,83 NL/minute	2,5 NL/minute		

Air consumption in NL/minute per item

Machine	Measured speed	NL/minute
POP pot dispenser	3000 strokes per hour	10,25
LPO large pot dispenser	3000 strokes per hour	39,75
Osmocote dispenser*	1500 strokes per hour	52
Blowers continuous**	N.a.	262
Blowers per stroke	3000 strokes per hour	56,50
Placing robot NZ0-1 + staggering***	500 strokes per hour	83,50
Pick-up robot NZ100 + staggering***	500 strokes per hour	4,3
Compact pick-up NZL100	500 strokes per hour	
Compact placing NZL0-1	500 strokes per hour	
Linea Recta pick-up NZLR100	500 strokes per hour	
Linea Recta placing NZLR0-1	500 strokes per hour	

Notes:

NL = Nominal Liter p. m. x 0.264= gallon p.m. (GPM) : 7.48 = Cubic feet p. m. (CFM)

- Air consumption for a potting machine measured at 3,000 strokes per hour with a LPOD, AFLPR1, AFLA1 = 250 NL/minute (8.8 CFM)

- Intake capacity is mentioned in NL/minute.

*The inner cylinder is adjusted at 2cm. (¾")

** Not reduced, with a 2mm (3/32") blower opening

*** Staggering stroke at 100mm. (4")



JAVO PLUS (PLUS)

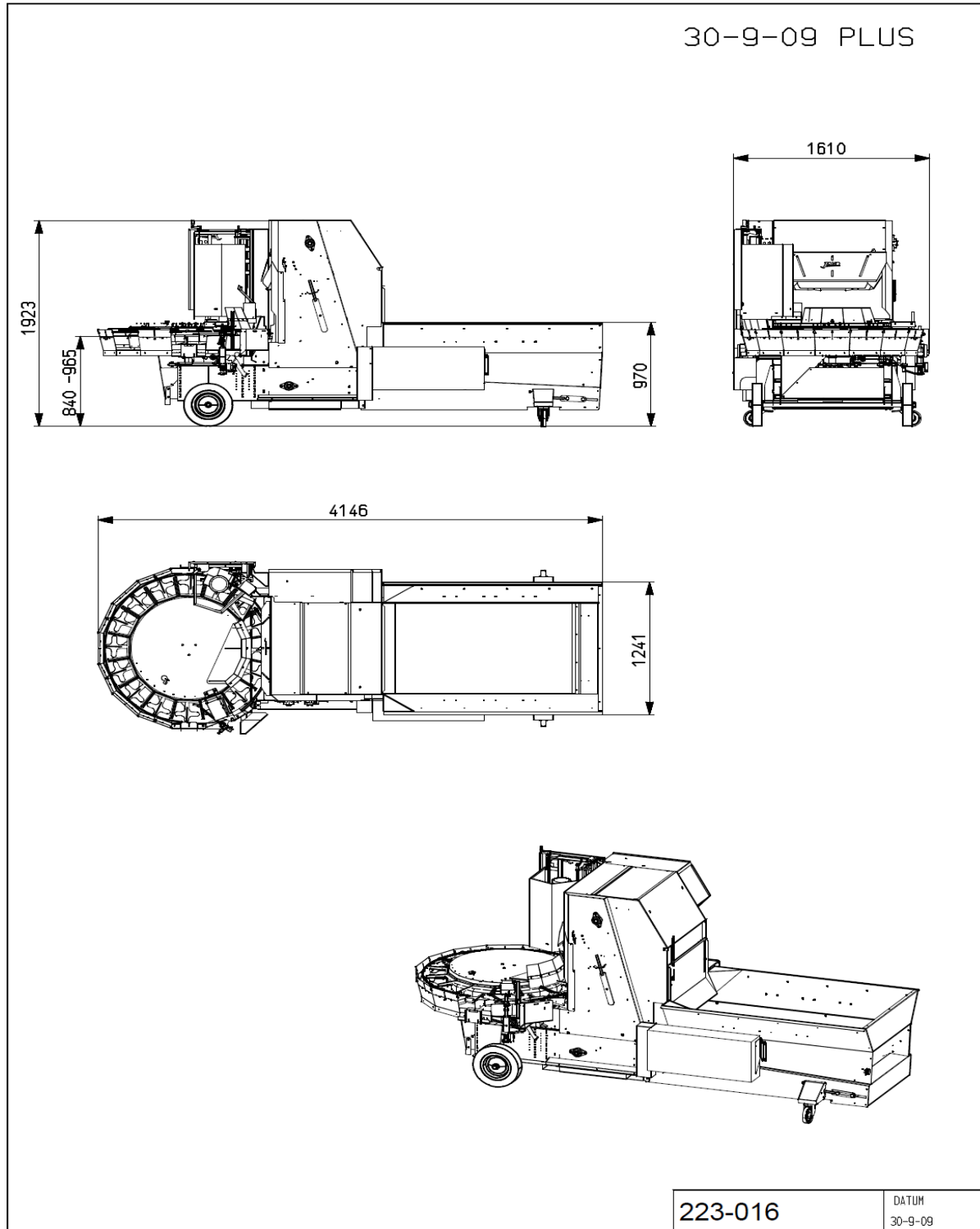
Specifications:

Voltage	400Volt 50z 3~+N+ PE (N. America 208/220V. 60Hz.)
Power connection machine	16A 3 phase 5 pin
Power	3kW
Switched plug box	1x 16A 3 phase 5 pin
Length	4.200m (14')
Width	1.600mm (5'4")
Height	2.000mm (6'8")
Weight	±1200kg (2640lbs)
Height take off belt	820mm (33")
Max. capacity	3840 p.p./hour (60hz)
Min. capacity	780p.p./hour (13hz)
Min. pot size	9cm (3¾")
Max. pot size	23cm (9¼")
Amount pot holders	16
Volume soil bin	1100ltr (1,1m3)
Maintenance set	16A plug, 3x open end wrench, 1x door key, 1x allen wrench, 2x locknut m10, 2x allen screw m8, 2x rubber washer, 1x adjust key pottrack
Drill holder (motor shaft 19mm)	Drill shaft 14mm (up to drill 15cm)
Control box	Remote control box with stop/ start/ emergency switch / reset.
Frequency control elevator	Standard (dial on electrical panel)
Frequency control pottrack !	Standard (dial on electrical panel)

Options:	Code:	Specifications:
4mtr 5x1.5 cable incl. 16A plug	900965	
Continuous plug box	900966	Not standard
Soil bin extension	223-150	1600ltr extra (1,6m3) (1800x1660x600) (6'x5'6"x2')
Air wheels front side	SU-1L	
Air wheels with tow bar rear side	223-180	stick ...mm outside the machine
Pot double next to each other*	PLUSD	Base plates + pot seperators max. size: 2x11cm (2x4¼)
Roller with motor	223-500-01-02	With frequency control
Rotating brush before drill	BM 223-800	
Rotating brush brush behind drill	BM 201	
Height take off belt		From 820mm up to 965mm (33" up to 38") (factory installed)
Mechanical take off	AFLM1	All positions possible**

Notes:

- *Double drills not possible. It is possible to dibble holes.
- **when the pull bar is adjusted under the pot track, the guide rail needs to be separated.
- from 2006 the new elevator belt are been used.





Partner in Growing



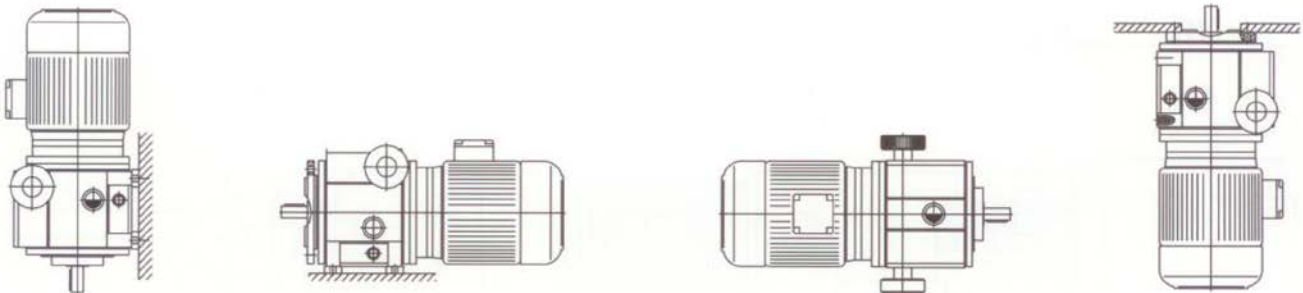
Newsletter

SUBJECT: Extra locking paddles for the Javo Plus

DATE: 27th of April 2012

When fitting new elevator belts to the soil system on the Plus. Extra locking nuts are needed on the bolts as the M8 holes in the paddles are for one time use only.

Oil quantities (ccm) variable-speed ball drive KR1-KR4



Einbaulage	V1, V5, V18	B3, B5, B14	B6, B7	V3, V6, V19
KR1	70	70	70	70
KR2	200	125	200	125
KR3	400	250	400	250
KR4	800	450	800	450

Only the use of Santotrac 50/Variotrac 32 synthetic traction fluid ensures full power transmission.

The warranty requires this oil type to be used. The oil should be changed after 5000 operating hours (at least once per year). The oil change must not be carried out during operation. No other maintenance work is required.

Oil quantities FMRV + FDL:

Drive:	Quantity (ltr):	Type:
FMRV030	0,05	BP Energol SG-XP320
FMRV040	0,1	BP Energol SG-XP320
FMRV050	0,15	BP Energol SG-XP320
FDL018	0,13 (aber in vertikal mit Wellenende nach unten: 0,2)	BP Autran DX
FDL037	0,15 (aber in vertikal mit Wellenende nach unten: 0,25)	BP Energol SG-XP320

Trädgårdsteknik AB
Helsingborgsvägen Varalöv
262 96 ÄNGELHOLM
Tel: 0431-22290
Fax: 0431-22270
Mail: info@[tradgardsteknik.se](mailto:info@tradgardsteknik.se)
Webb: www.tradgardsteknik.se